

Ejector HT-SG ... I ... AB

Assembly Instructions

Note

The assembly instructions were originally written in German. Store in a safe place for future reference. Subject to technical changes without notice. No responsibility is taken for printing or other types of errors.

Published by

© J. Schmalz GmbH, 02/19

This document is protected by copyright. J. Schmalz GmbH retains the rights established thereby. Reproduction of the contents, in full or in part, is only permitted within the limits of the legal provisions of copyright law. Any modifications to or abridgments of the document are prohibited without explicit written agreement from J. Schmalz GmbH.

J. Schmalz GmbH · Johannes-Schmalz-Str. 1 · 72293 Glatten, Germany · T: +49 7443 2403-0
schmalz@schmalz.de

Contents

- 1 Important information 3**
 - 1.1 Note on Using this Document 3
 - 1.2 The technical documentation is part of the product 3
 - 1.3 Other Applicable Documents 3
 - 1.4 Warnings in this document..... 3
- 2 Fundamental Safety Instructions 4**
 - 2.1 Standards of Technology 4
 - 2.2 Emissions 4
 - 2.3 Intended Use..... 4
 - 2.4 Non-Intended Use 5
 - 2.5 Modifications to the Ejector 5
- 3 Product description 5**
 - 3.1 Variants of the HT-SG..... 5
 - 3.2 Ejector Structure..... 5
 - 3.3 Application Description 5
- 4 Technical Data 6**
 - 4.1 General Parameters..... 6
 - 4.2 Dimensions..... 6
 - 4.3 Pneumatic Circuit Plan 6
- 5 Mounting 6**
 - 5.1 Installation Instructions..... 6
 - 5.2 Mechanical Attachment..... 7
 - 5.3 Connecting the Compressed Air and Vacuum..... 7
 - 5.4 Electrical Connection..... 7
- 6 Checking the Delivery 8**
- 7 Cleaning the Ejector..... 8**
- 8 Spare and Wearing Parts 8**
- 9 Warranty..... 8**
- 10 Disposing of the Ejector 8**

1 Important information

1.1 Note on Using this Document

J. Schmalz GmbH is generally referred to as Schmalz in this assembly instructions.

These assembly instructions contain important notes and information about the different operating phases of the product:

- Transport, storage, start of operations and decommissioning
- Safe operation, required maintenance, rectification of any faults

The assembly instructions describe the product at the time of delivery by Schmalz.

1.2 The technical documentation is part of the product

1. For problem-free and safe operation, follow the instructions in the documents.
 2. Keep the technical documentation in close proximity to the product. The documentation must be accessible to personnel at all times.
 3. Pass on the technical documentation to subsequent users.
- ⇒ Schmalz is not liable for damage or malfunctions that result from failure to heed these instructions.

If you still have questions after reading the technical documentation, contact the Customer Service Center on: www.schmalz.com/services

1.3 Other Applicable Documents

The following operating instructions must also be observed when setting up the HT-SG:

- The operating instructions 30.30.01.01740 for the vacuum switch VSi-HD

1.4 Warnings in this document

Warnings warn against hazards that may occur when handling the product. This document contains three levels of danger that you can recognize by the signal word.

Signal word	Meaning
WARNING	Indicates a medium-risk hazard which, if not avoided, could result in death or serious injury.
CAUTION	Indicates a low-risk hazard which, if not avoided, could result in minor or moderate injury.
NOTE	Indicates a danger that leads to property damage.

2 Fundamental Safety Instructions

2.1 Standards of Technology

The product is built in accordance with the latest standards of technology and is delivered in a safe operating condition; however, hazards may arise during use.



⚠ WARNING

Failure to follow these assembly instructions can lead to injuries!

- ▶ Read the assembly instructions carefully and observe the contents.

2.2 Emissions

The Ejector HT-SG emits noise due to the operation of compressed air.



⚠ WARNING

Noise pollution due to the escape of compressed air

Hearing damage!

- ▶ Wear ear protectors.



⚠ WARNING

Extraction of hazardous media, liquids or bulk material

Personal injury or damage to property!

- ▶ Do not extract harmful media such as dust, oil mists, vapors, aerosols etc.
- ▶ Do not extract aggressive gases or media such as acids, acid fumes, bases, biocides, disinfectants or detergents.
- ▶ Do not extract liquids or bulk materials, e.g. granulates.

2.3 Intended Use

The holder with ejector (HT-SG) is designed to generate a vacuum for gripping and transporting objects when used in conjunction with suction cups.

Neutral gases are approved as evacuation media. Neutral gases include air, nitrogen and inert gases (e.g. argon, xenon and neon).

The product is intended for industrial use.

Any other use is considered improper by the manufacturer and is deemed as contrary to the designated use.

2.4 Non-Intended Use

Schmalz accepts no liability for damages caused by non-intended usage of the product. In particular, the following are considered non-intended use:

- Use in potentially explosive atmospheres
- Use in medical applications
- Lifting people or animals
- Evacuation of objects that are in danger of imploding

2.5 Modifications to the Ejector

Schmalz assumes no liability for consequences of modifications over which it has no control:

1. The ejector must be operated only in its original condition as delivered.
2. Use only original spare parts from Schmalz.
3. The ejector must be operated only in perfect condition.

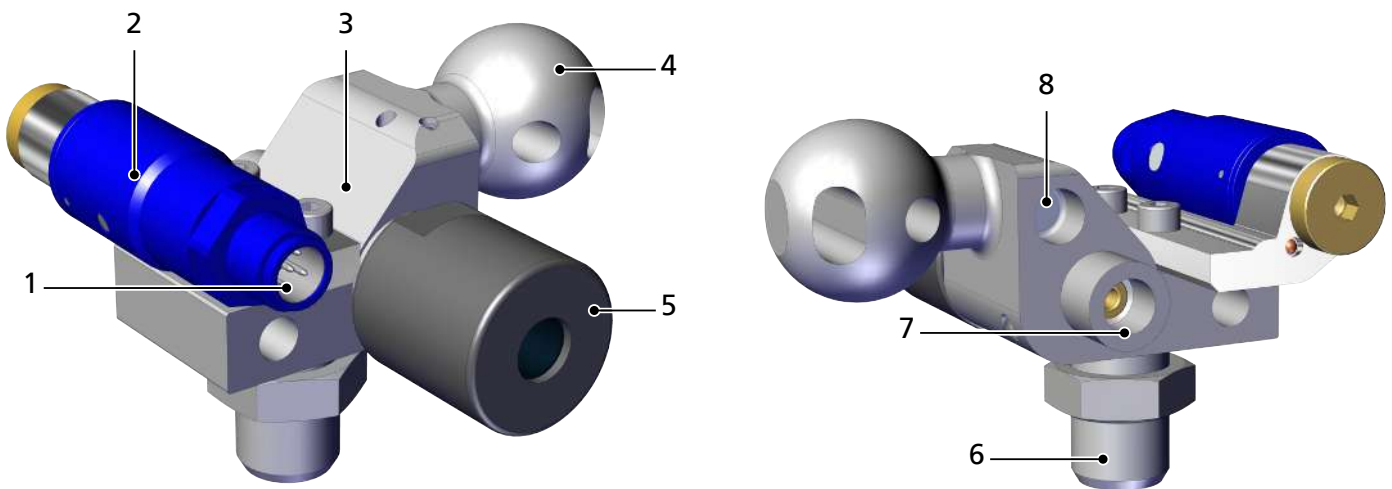
3 Product description

3.1 Variants of the HT-SG

The tooling holder for suction cups HT-SG is available in two basic versions. The version is indicated in the item designation. The item designation is composed as follows:

Type	Vacuum switch
HT-SG ... I ... AB	—
HT-SG ... I ... AB VS	Installed

3.2 Ejector Structure



1	Electrical connection	2	Vacuum switch (optional)
3	Holder with integrated vacuum nozzle	4	Tooling beam interface
5	Silencer	6	Connection for vacuum suction cups
7	Compressed air connection G1/8"-IG (suction)	8	Compressed air connection G1/8"-IG (blow-off)

3.3 Application Description

The ejector built into the holder generates the vacuum necessary to handle parts with the tooling system. The ejector is set into "Suction" mode via the "Suction" compressed air connection [7], and the vacuum is generated via a venturi nozzle.

The vacuum circuit of the ejector is supplied with compressed air by the activation of the "Blow-off" compressed air connection [8]. This ensures that the vacuum drops quickly, depositing the workpiece quickly as well. The "Suction" [7] and "Blow-off" [8] compressed air connections must be activated simultaneously for blow-off. On the vacuum switch version, the system vacuum is measured. When the preset vacuum value is reached, an electrical signal is emitted at the switching outputs (e.g. "parts control" monitoring).

4 Technical Data

4.1 General Parameters

Parameter	Unit	HT-SG ... AB
Nozzle diameter	mm	1.0
Suction rate	NI/min	35
Maximum vacuum	%	85
Suction air consumption	NI/min	52 (at 4.5 bar)
Blow-off air consumption	NI/min	117 (at 4.5 bar)
Operating pressure	bar	4 to 6
Opt. operating pressure	bar	4.5
Mass	g	120–230, depending on the design
Temperature range	° C	0 to +50
Operating medium	--	Compressed air, oiled or unoled in accordance with ISO 8573-1:2001, class 7-4-4

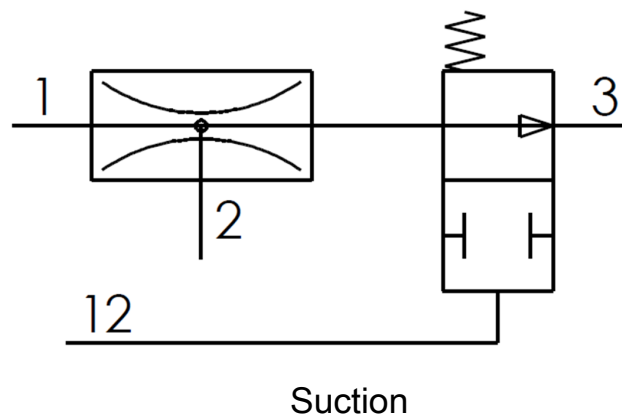
All values at ambient conditions of $T = 20^{\circ}\text{C}$ and 1000 mbar ambient pressure

4.2 Dimensions

Connection for tooling beams: Ball (A3: $\varnothing 28.5\text{ mm}$; A5: $\varnothing 32\text{ mm}$) or "Apple-Core" cylinder (A2: $\varnothing 19\text{ mm}$) (1)

The dimensions result from the different holder variants. We refer here to the product data sheets of the individual variants at www.schmalz.de.

4.3 Pneumatic Circuit Plan



5 Mounting

5.1 Installation Instructions



CAUTION

Compressed air or vacuum in direct contact with the eye

Severe eye injury

- ▶ Wear eye protection
- ▶ Do not look into the compressed air openings
- ▶ Do not look into vacuum openings, e.g. suction cups



⚠ CAUTION

Noise pollution due to incorrect installation of the pressure and vacuum connections

Hearing damage

- ▶ Correct installation.
- ▶ Wear ear protectors.

When mounting the HT-SG, please note the following:

- If there is a risk that larger particles of dirt will be sucked in, a special filter must be used.

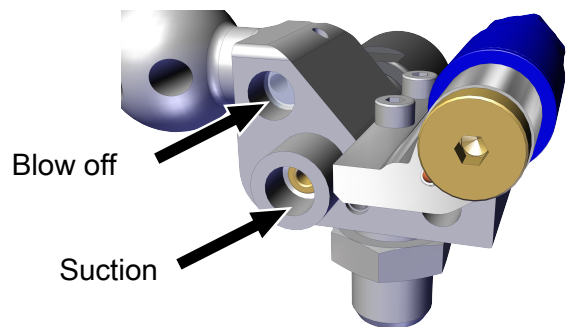
5.2 Mechanical Attachment

The HT-SG is mechanically attached via the interface to the tooling beam, depending on the selected holder variant.

It may be installed in any position.

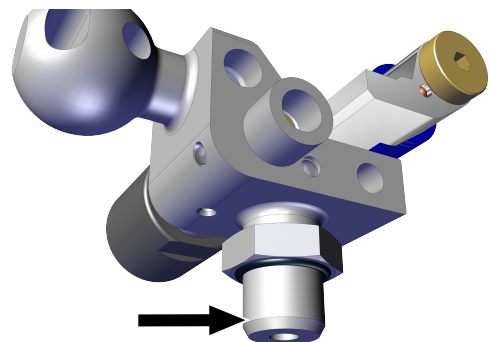
5.3 Connecting the Compressed Air and Vacuum

To operate the integrated ejector, the HT-SG must be supplied with compressed air via the compressed air connection G1/8".



- ▶ Connect compressed air, description of connection

The vacuum connection or the attachment of the vacuum gripper is established using a thread or a right-angled adapter.

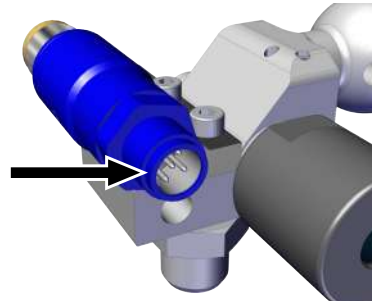


- ▶ Connect vacuum or vacuum gripper

5.4 Electrical Connection

The electrical connection is established using the 5-pin M12 connection plug on the vacuum switch. The operating instructions for the vacuum switch and, in particular, the safety instructions must be considered.

- ✓ Prepare the connection cable



- ▶ Attach the connection cable to the electrical connection point and secure it (maximum tightening torque = hand-tight).

6 Checking the Delivery

The scope of delivery can be found in the order confirmation. The weights and dimensions are listed in the delivery notes.

1. Compare the entire delivery with the supplied delivery notes to make sure nothing is missing.
2. Damage caused by defective packaging or in transit must be reported immediately to the carrier and J. Schmalz GmbH.

7 Cleaning the Ejector

- ▶ Rinse with water or clean with hot air as required

8 Spare and Wearing Parts

Maintenance work may only be carried out by qualified personnel.

The following list contains the primary spare and wearing parts.

Part no.	Designation	Part type
10.06.02.00677	Vacuum / pressure switch VSi	Spare part

9 Warranty

This system is guaranteed in accordance with our general terms of trade and delivery. The same applies to spare parts, provided that these are original parts supplied by us.

Wearing parts are not covered by the warranty.

10 Disposing of the Ejector

1. Dispose of the product properly after replacement or decommissioning.
2. Observe the country-specific guidelines and legal obligations for waste prevention and disposal.