

Pneumatic Vacuum Generators RECBI

Suction rate up to 52.5 l/min



Suitability for industry specific applications

Applications

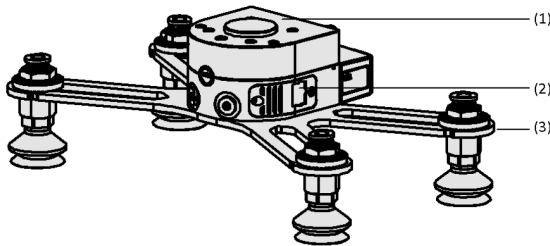
- Pneumatic vacuum generator for end-of-arm (EoA) use on lightweight robots, cobots and conventional 6-axis robots
- Handling of absorbent or porous workpieces such as cardboard packaging or uneven workpieces
- Pick-and-place tasks, machine loading and unloading, picking and packing
- Range of applications from production and assembly to warehouse logistics and shipping
- Use in processes with requirements for short cycle and evacuation times



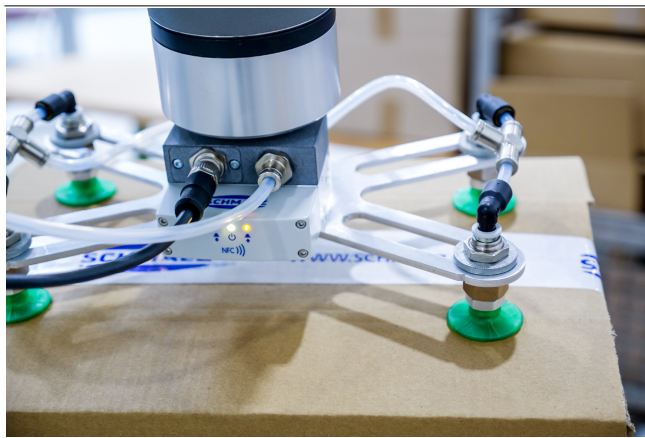
Pneumatic Vacuum Generators RECBI

Design

- Connection suitable for all most lightweight robots and small industrial robots (1)
- Integrated Eco nozzle technology (2) with easily accessible nozzle and valve technology
- Predefined assemblies with different grippers (3) or universal connecting plate



System design Pneumatic Vacuum Generators RECBI



Pneumatic vacuum generator RECBI when handling cardboard boxes

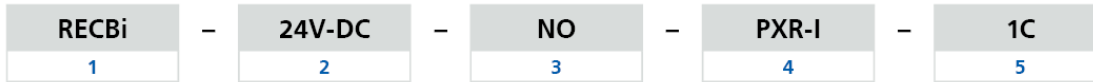
Product highlights

- Powerful vacuum generation for short cycle times and high leakage compensation
- Assembly directly end-of-arm on the robot with low height limitation
- Direct and simple mechanical as well as electric robot connection
- Adjustable gripping system PXR with different versions for process-safe gripping of various workpieces

Pneumatic Vacuum Generators RECBI

Suction rate up to 52.5 l/min

Designation code Pneumatic Vacuum Generators RECBI



1 – Abbreviated designation

Code	Version
RECBI	RECBI

2 – Voltage

Code	Voltage
24V-DC	Direct voltage

3 – Idle position suction valve

Code	Type
NC	Normally closed
NO	Normally open

4 – Gripper

Code	Type
PXR-I	PXR (I shape)
PXR-X	PXR (X shape)
UNI	Universal connection

5 – Vacuum channels

Code	Type
1C	1 vacuum channel

The pneumatic vacuum generator RECBI is supplied as a ready-to-connect product.

Ordering data Pneumatic Vacuum Generators RECBI

Type	Part no.
RECBI 24V-DC NC UNI 1C M12-8	10.02.03.00434
RECBI 24V-DC NO UNI 1C M12-8	10.02.03.00437
RECBI 24V-DC NC PXR-I 1C M12-8	10.02.03.00443
RECBI 24V-DC NO PXR-I 1C M12-8	10.02.03.00444
RECBI 24V-DC NC PXR-X 1C M12-8	10.02.03.00446
RECBI 24V-DC NO PXR-X 1C M12-8	10.02.03.00447

Ordering data Spare parts Pneumatic Vacuum Generators RECBI

Spare parts	Part no.	
Set of spare parts	ERS RECB SD	10.02.03.00422
Set of spare parts	ERS SEP-13 6xRUE-KLAP	10.02.01.01449
Ejector module	SEP HV 2 14 13 S	10.02.01.01493

Spare parts	Part no.		
Universal connection	-	-	
PXR (I-shape)	Bellows suction cups (round)	SPB1 30 ED-65 G1/4-AG	10.01.06.04530
PXR (X-shape)	Bellows suction cups (round)	SPB1 30 ED-65 G1/4-AG	10.01.06.04530

Ordering data Accessories Pneumatic Vacuum Generators RECBI

Accessories	Part no.		
Universal connection	-	-	
PXR (I-shape)	Accessories	ZUB RECBI-PXRI	10.02.03.00413
PXR (X-shape)	Accessories	ZUB RECBI-PXRX	10.02.03.00414

Accessories	Part no.	
Building group Solenoid valve	VENT-BGR EMVP-5 3/2 NC 24V-DC	10.08.09.00032
Connection cable	ASK B-M12-8 5000 K-8P	21.04.05.00079
Silencer (cube-shaped-inst.)	SD 66.7x24.4x24.5 RECBI	10.02.03.00441

Pneumatic Vacuum Generators RECBi

Suction rate up to 52.5 l/min

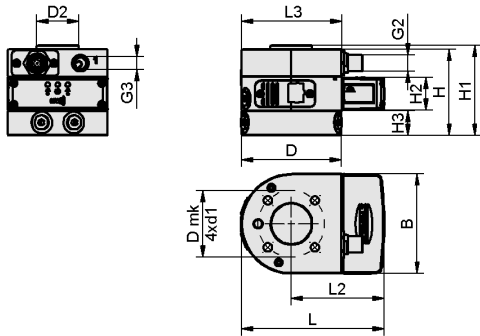
Technical data Pneumatic Vacuum Generators RECBi

Type	Suction rate max. [l/min]	Degree of evacuation [%]	Operating pressure	Rated power [W]	Voltage [V]	Electrical connection	Protection type IP	Operating temperature
RECBi 24V-DC NC PXR-I 1C M12-8	52.5	85	3.00 ... 7.00 bar	1	24V - DC	Male connect M12, 8 pol	IP 40	0 ... 50 °C
RECBi 24V-DC NC PXR-X 1C M12-8	52.5	85	3.00 ... 7.00 bar	1	24V - DC	Male connect M12, 8 pol	IP 40	0 ... 50 °C
RECBi 24V-DC NC UNI 1C M12-8	52.5	85	3.00 ... 7.00 bar	1	24V - DC	Male connect M12, 8 pol	IP 40	0 ... 50 °C
RECBi 24V-DC NO PXR-I 1C M12-8	52.5	85	3.00 ... 7.00 bar	1	24V - DC	Male connect M12, 8 pol	IP 40	0 ... 50 °C
RECBi 24V-DC NO PXR-X 1C M12-8	52.5	85	3.00 ... 7.00 bar	1	24V - DC	Male connect M12, 8 pol	IP 40	0 ... 50 °C
RECBi 24V-DC NO UNI 1C M12-8	52.5	85	3.00 ... 7.00 bar	1	24V - DC	Male connect M12, 8 pol	IP 40	0 ... 50 °C

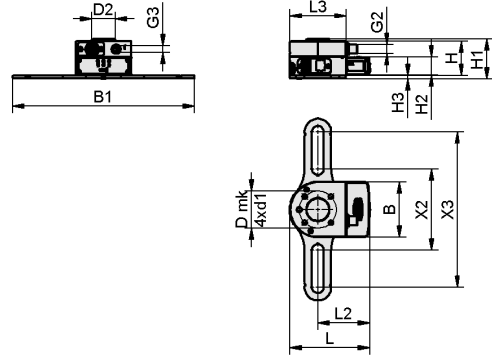
Pneumatic Vacuum Generators RECBi

Suction rate up to 52.5 l/min

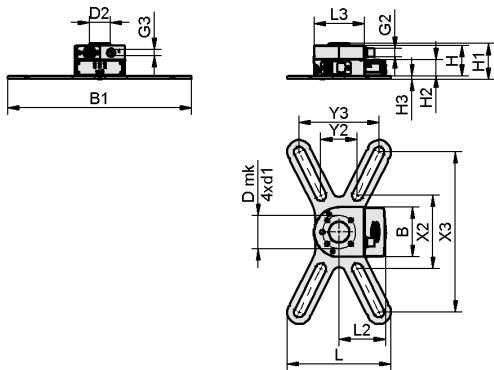
Design data Pneumatic Vacuum Generators RECBi



RECB UNI



RECB PXR-I



RECB PXR-X

Pneumatic Vacuum Generators RECBI

Suction rate up to 52.5 l/min

Design data Pneumatic Vacuum Generators RECBI

Type	B [mm]	B1 [mm]	D [mm]	d1 [mm]	D2 [mm]	Dmk [mm]	G2	G3	H [mm]	H1 [mm]	H2 [mm]	H3 [mm]	L [mm]	L2 [mm]	L3 [mm]	X2 [mm]	X3 [mm]	Y2 [mm]	Y3 [mm]
RECBI 24V-DC NC UNI 1C M12-8	75	-	75	6.4	31.5	50	M12-M	G1/8"-F	65	68	25	19.0	107.5	70	75.5	-	-	-	-
RECBI 24V-DC NO UNI 1C M12-8	75	-	75	6.4	31.5	50	M12-M	G1/8"-F	65	68	25	19.0	107.5	70	75.5	-	-	-	-
RECBI 24V-DC NC PXR- I 1C M12-8	75	246	-	6.4	31.5	50	-	G1/8"-F	46	54	25	5.1	107.5	70	75.5	110	210	-	-
RECBI 24V-DC NO PXR-I 1C M12-8	75	246	-	6.4	31.5	50	M12-M	G1/8"-F	46	54	25	5.1	107.5	70	75.5	110	210	-	-
RECBI 24V-DC NC PXR- X 1C M12-8	75	276	-	6.4	31.5	50	M12-M	G1/8"-F	46	54	25	5.1	156.0	70	75.5	110	240	55	120
RECBI 24V-DC NO PXR-X 1C M12-8	75	276	-	6.4	31.5	50	M12-M	G1/8"-F	46	54	25	5.1	156.0	70	75.5	110	240	55	120