

Bellows Suction Cups FSGC

Suction area (\varnothing) from 40 mm to 60 mm



Suitability for industry specific applications

Applications

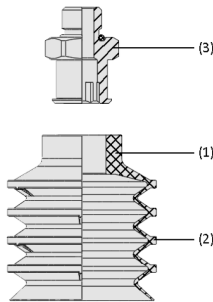
- Round bellows suction cup with 4.5 folds for handling packaged goods in logistics and distribution centers
- Use in sorting cells when transferring cardboard boxes, paper bags, poly bags and shipping bags



Bellows Suction Cups FSGC

Design

- Bellows suction cups FSGC with large shaft diameter (1) and optimized bellows shape (2)
- Use of one-piece, plug-in connection elements (3) for quick change of the suction cup
- Suction cup with 4.5 folds available in NBR-55



System design Bellows Suction Cups FSGC



Bellows suction cups FSGC when handling various packaging workpieces

Product highlights

- Very good adaptation to different workpiece contours thanks to increased stroke and flexible sealing lip

Bellows Suction Cups FSGC

Suction area (Ø) from 40 mm to 60 mm

Designation code Bellows Suction Cups FSGC

FSGC	-	40	-	NBR-55	-	G1/4-AG
1		2		3		4

1 – Abbreviated designation

Code	Version
FSGC	4.5 folds

2 – Suction area

Code	Diameter in mm
40...60	ø 40 to 60

3 – Material

Code	Material
NBR-55	NBR-55

4 – Connection

Code	Connection
G1/4-AG	G1/4-AG (AG = male (M))
G1/4-IG	G1/4-IG (IG = female (F))
G3/8-AG	G3/8-AG
G3/8-IG	G3/8-IG

The suction cup FSGC (elastomer part + connection element) is delivered assembled. The product consists of:

- Suction cup type FGC - elastomer part, available in different diameters
- Connection element type SC - available with various threads

Ordering data Bellows Suction Cups FSGC

Type	Suction cup material with ShA: *		
	NBR-55		
FSGC	40	G1/4"-M	10.01.06.04870
FSGC	40	G1/4"-F	10.01.06.05653
FSGC	40	G3/8"-M	10.01.06.05654
FSGC	40	G3/8"-F	10.01.06.05655
FSGC	40	NPT3/8-M	10.01.06.05656
FSGC	40	NPT3/8-F	10.01.06.05657
FSGC	50	G1/4"-M	10.01.06.05020
FSGC	50	G1/4"-F	10.01.06.05651
FSGC	50	G3/8"-M	10.01.06.05658
FSGC	50	G3/8"-F	10.01.06.05659
FSGC	50	NPT3/8-M	10.01.06.05660
FSGC	50	NPT3/8-F	10.01.06.05661
FSGC	60	G1/4"-M	10.01.06.05662
FSGC	60	G1/4"-F	10.01.06.05663
FSGC	60	G3/8"-M	10.01.06.05664
FSGC	60	G3/8"-F	10.01.06.05665
FSGC	60	NPT3/8-M	10.01.06.05666
FSGC	60	NPT3/8-F	10.01.06.05667

*Additional material specifications at beginning of the section "Vacuum Suction Cups"

Bellows Suction Cups FSGC

Suction area (Ø) from 40 mm to 60 mm

Ordering data Spare parts Bellows Suction Cups FSGC

Type			Suction cup material with ShA: * NBR-55
FGC	40	SC080	10.01.06.04863
FGC	50	SC080	10.01.06.04920
FGC	60	SC090	10.01.06.05241

*Additional material specifications at beginning of the section "Vacuum Suction Cups"

Type	Spare parts			Part no.	
FGC	40	G1/4"-M	Schmalz-Connector	SC 080 G1/4-AG	10.01.06.03268
FGC	50	G1/4"-M	Schmalz-Connector	SC 080 G1/4-AG	10.01.06.03268
FGC	50	G1/4"-F	Schmalz-Connector	SC 080 G1/4-IG	10.01.06.03271
FGC	40	G1/4"-F	Schmalz-Connector	SC 080 G1/4-IG	10.01.06.03271
FGC	40	G3/8"-M	Schmalz-Connector	SC 080 G3/8-AG	10.01.06.02593
FGC	40	G3/8"-F	Schmalz-Connector	SC 080 G3/8-IG	10.01.06.02594
FGC	40	NPT3/8"-M	Schmalz-Connector	SC 080 NPT3/8-AG	10.01.06.03664
FGC	40	NPT3/8"-F	Schmalz-Connector	SC 080 NPT3/8-IG	10.01.06.03665
FGC	50	G3/8"-M	Schmalz-Connector	SC 080 G3/8-AG	10.01.06.02593
FGC	50	G3/8"-F	Schmalz-Connector	SC 080 G3/8-IG	10.01.06.02594
FGC	50	NPT3/8"-M	Schmalz-Connector	SC 080 NPT3/8-AG	10.01.06.03664
FGC	50	NPT3/8"-F	Schmalz-Connector	SC 080 NPT3/8-IG	10.01.06.03665
FGC	60	G1/4"-M	Schmalz-Connector	SC 090 G1/4-AG	10.01.06.02793
FGC	60	G1/4"-F	Schmalz-Connector	SC 090 G1/4-IG	10.01.06.03273
FGC	60	G3/8"-M	Schmalz-Connector	SC 090 G3/8-AG	10.01.06.02791
FGC	60	G3/8"-F	Schmalz-Connector	SC 090 G3/8-IG	10.01.06.03274
FGC	60	NPT3/8"-M	Schmalz-Connector	SC 090 NPT3/8-AG	10.01.06.03668
FGC	60	NPT3/8"-F	Schmalz-Connector	SC 090 NPT3/8-IG	10.01.06.03669

Technical data Bellows Suction Cups FSGC

Type			Suction force (-600 mbar) [N]*	Breakaway force (real) [N]	Material hardness [Shore A]	Volume [cm³]	Hose diameter (recom.) d [mm]**
FGC	40	NBR-55	35	37	55	29.1	9
FGC	50	NBR-55	55	59	55	52.4	9
FGC	50	NBR-55	35	59	55	52.4	9
FGC	60	NBR-55	80	84	55	80.2	12

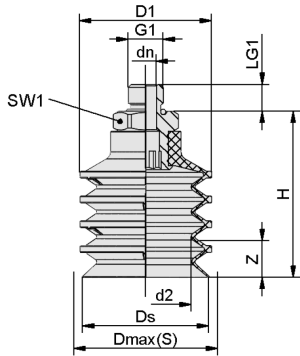
*The specified suction forces are theoretical values at a vacuum of -0.6 bar and with a smooth, dry workpiece surface - they do not include a safety factor

**The recommended hose diameter is based on a hose length of approx. 2 m

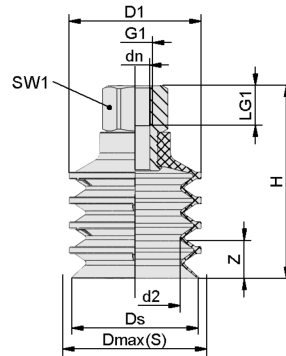
Bellows Suction Cups FSGC

Suction area (\emptyset) from 40 mm to 60 mm

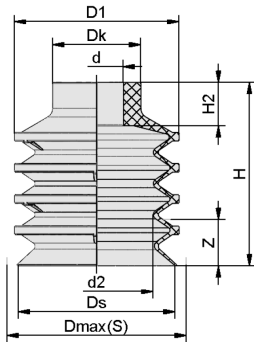
Design data Bellows Suction Cups FSGC



FSGC 40 - 60 AG



FSGC 40 - 60 IG



FGC 40 - 60

Bellows Suction Cups FSGC

Suction area (Ø) from 40 mm to 60 mm

Design data Bellows Suction Cups FSGC

Type	D1 [mm]	d2 [mm]	Ds [mm]	Dmax(S) [mm]	dn [mm]	G1	LG1 [mm]	SW1 [mm]	H [mm]	Z (Stroke) [mm]
FSGC 40 NBR-55 G1/4-AG	39.0	27.5	39	41	8.0	G1/4"-M	10.0	22	54.5	25
FSGC 40 NBR-55 G1/4-IG	39.0	27.5	39	41	11.0	G1/4"-F	12.0	22	64.5	25
FSGC 40 NBR-55 G3/8-AG	39.0	27.5	39	41	10.3	G3/8"-M	10.0	22	54.5	25
FSGC 40 NBR-55 G3/8-IG	39.0	27.5	39	41	11.0	G3/8"-F	12.0	22	64.5	25
FSGC 50 NBR-55 G1/4-AG	49.5	34.5	47	51	8.0	G1/4"-M	10.0	22	62.5	31
FSGC 50 NBR-55 G1/4-IG	49.5	34.5	47	51	11.0	G1/4"-F	12.0	22	72.5	31
FSGC 50 NBR-55 G3/8-AG	49.5	34.5	47	51	10.3	G3/8"-M	10.0	22	62.5	31
FSGC 50 NBR-55 G3/8-IG	49.5	34.5	47	51	11.0	G3/8"-F	12.0	22	72.5	31
FSGC 60 NBR-55 G1/4-AG	60.0	41.5	58	61	8.0	G1/4"-M	10.0	27	68.0	32
FSGC 60 NBR-55 G1/4-IG	60.0	41.5	58	61	11.4	G1/4"-F	12.0	27	82.0	32
FSGC 60 NBR-55 G3/8-AG	60.0	41.5	58	61	10.3	G3/8"-M	10.0	27	68.0	32
FSGC 60 NBR-55 G3/8-IG	60.0	41.5	58	61	15.0	G3/8"-F	12.0	27	82.0	32

Type*	d [mm]	d2 [mm]	D1 [mm]	Dk [mm]	Dmax(S) [mm]**	Ds [mm]	H [mm]	H2 [mm]	Z (Stroke) [mm]	
FGC	40	16.0	28	39	25.0	41.0	39.0	47.0	13.0	25.0
FGC	50	16.0	35	50	26.5	51.0	47.0	55.0	13.0	31.0
FGC	60	20.0	42	60	34.0	61.0	58.0	60.5	14.0	32.0

*Acceptable dimensional tolerances for rubber parts concerning to DIN ISO 3302-1 E3

**External dimension of the suction cup when it is pressed against the workpiece by the vacuum

Multimedia product presentation

Medium

Product video

Link

<https://vimeo.com/746827799>