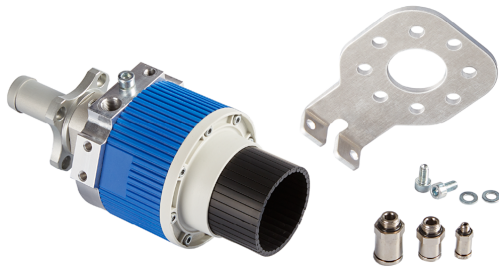
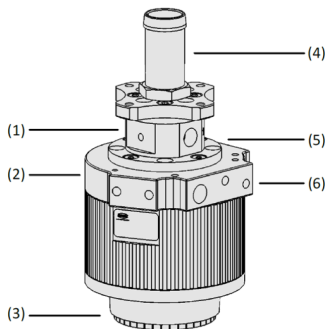


Handling Sets SCG-HSS

Suction rate from 270 l/min to 650 l/min



Handling Sets SCG-HSS



System Design Handling Sets SCG-HSS

Product Highlights

- Handling set ready-to-connect for easy installation and commissioning
- Very good sealing on strongly structured surfaces due to flexibly adjustable pin curtain
- High suction capacity with minimum air consumption for low operating costs
- Protection of sensitive workpieces by controlled discharge of electrostatic charges
- Highest process reliability at high throughput due to handling true to position and layer

Designation Code Handling Sets SCG-HSS

Suitability for Industry Specific Applications

Applications

- Handling set ready for connection based on a compact flow gripper
- Includes the flow gripper SCG-HSS next to a mounting set, pressure-reduction valve and screw in push fittings
- Handling of dimensionally stable workpieces with highly structured surfaces such as assembled printed circuit boards
- Reliable and gentle handling with minimum surface pressure even for workpieces with openings and low degree of occupancy
- Protection against uncontrolled electrostatic discharge of sensitive components through ESD compliant design

Design

- Basic model made of non-anodized aluminum with integrated compressed air driven vacuum generation (1)
- Suitable for side mounting (2)
- Flexibly adjustable gripping surface through pins with pneumatic fixation (3)
- Exhaust duct for controlled conduction of the air sucked in (4)
- Compressed air connection for vacuum generation (suction) (5)
- Compressed air connections for extending and fixing the pins and connection for vacuum sensing (6)

Handling Sets SCG-HSS

Suction rate from 270 l/min to 650 l/min



1 – Abbreviated designation

Code	Version
ROB-SET	Handling set SCG-HSS
SCG-HSS	

2 – Compatibility

Code	Version
UR	Universal Robots

Ordering Data Handling Sets SCG-HSS

Type	Part no.
ROB-SET SCG-HSS UR	10.01.30.01126

Ordering Data Spare Parts Handling Sets SCG-HSS

Type	Spare Parts	Part no.
ROB-SET SCG-HSS UR	Set of spare parts	ERS SCG-HSS 55 10.01.30.01066

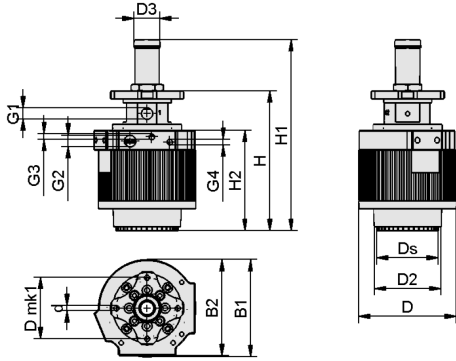
Technical Data Handling Sets SCG-HSS

Type	Add. function ejector	Performance class	Operating temperature	Weight [g]
ROB-SET SCG-HSS UR	-	-	5 ... 50 °C	-

Handling Sets SCG-HSS

Suction rate from 270 l/min to 650 l/min

Design Data Handling Sets SCG-HSS



Handling Sets SCG-HSS

Suction rate from 270 l/min to 650 l/min

 **Design Data Handling Sets SCG-HSS**

Type	B1 [mm]	B2 [mm]	D [mm]	D2 [mm]	D3 [mm]	D mk1 [mm]	Ds [mm]
ROB-SET SCG-HSS UR	73	-	73	-	-	-	47

Type	d [mm]	G1	G3	G4	H [mm]	H1 [mm]	H2 [mm]
ROB-SET SCG-HSS UR	-	-	-	-	105	143.5	75.5