

# Mini Compact Valves SCPM EV

Max. flow rate: 33 l/min



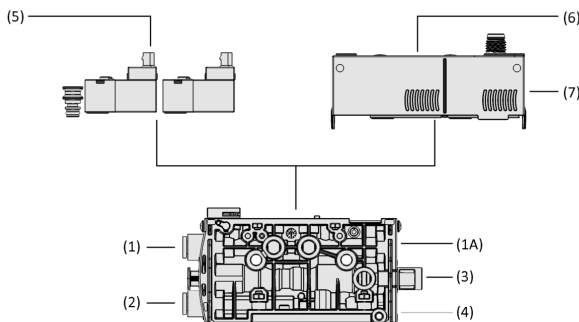
## Suitability for Industry Specific Applications



### Applications

- Application in vacuum systems for controlling the gripping and depositing of workpieces
- Use in combination with central electrical vacuum generators
- Use in combination with (compact) ejectors
- Compact design enables use in systems with confined space conditions

Mini Compact Valves SCPM EV



### Design

- Minimal footprint thanks to compact main body made from high-strength plastics with individual control module (7)
- 3-digit display with two-button operation and electrical connection M8, 6-pin plug (6)
- Pneumatic valves optionally integrated (6) or directly mounted (5) for switching function NO or NC
- Screw for adjusting blow off function (4)
- Compressed air connection (1) for pilot control and vacuum connection (2)
- Connection for external vacuum supply "EV" (1A)

System Design Mini Compact Valves SCPM EV

### Product Highlights

- Valve with automatic internal blow off for reduced wiring effort
- Integrated valve and sensor functionalities for fast start of operations
- Intelligent valves for monitoring evacuation time and leakage in vacuum systems

### Designation Code Mini Compact Valves SCPM EV

# Mini Compact Valves SCPM EV

Max. flow rate: 33 l/min

SCPMc EV 1	–	S09 2	–	NC 3	–	M8-6 4	–	PNP 5	–	ABA 6
---------------	---	----------	---	---------	---	-----------	---	----------	---	----------

## 1 – Abbreviated designation

Code	Version
SCPMb EV	SCPMb EV (Basic version)
SCPMc EV	SCPMc EV (with air-saving regulation)
SCPMi EV	SCPMi EV (IO-Link)

## 4 – Connection electrical

Code	Characteristic
M8-6	M8, 6-pole

## 2 – Connection

Code	Connection
S09	Quick connect push-in coupling 9 mm

## 5 – Switching function

Code	Characteristic
PNP	Switches to plus
NPN	Switches to minus

## 3 – Idle position valve

Code	Type
NC	Normally closed
NO	Normally open

## 6 – Product addition

Code	Characteristics
ABA /	Individual
A13...A16	configuration code

The mini compact valve SCPM EV is supplied as a ready-to-connect product (without connection cable).

Available accessories: connection cable, connection plug

## Ordering Data Mini Compact Valves SCPM EV

Type	Part no.
SCPMb EV S09 NC A13	10.02.02.06219
SCPMb EV S09 NO A16	10.02.02.06220
SCPMc EV S09 NC M8-6 PNP ABA	10.02.02.06211
SCPMc EV S09 NC M8-6 NPN BTU	10.02.02.06221
SCPMc EV S09 NO M8-6 PNP ABB	10.02.02.06217
SCPMc EV S09 NO M8-6 NPN BT1	10.02.02.06222
SCPMi EV S09 NC M8-6 ABO	10.02.02.06218
SCPMi EV S09 NO M8-6 B3R	10.02.02.06223

## Ordering Data Accessories Mini Compact Valves SCPM EV

Accessories		Part no.
Connection cable	ASK WB-M8-6 2000 K-6P	21.04.05.00488
Connection cable	ASK WB-M8-6 2000 S-M12-5	21.04.05.00489
Connection cable	ASK B-M8-6 5000 K-6P	21.04.05.00255
Distributor	ASV SCPMi B-M8-6 2xS-M12-4	10.02.02.05602
Mounting set	SET SCPM MOUNT1	10.02.02.05805
Exhaust air set	ABL-SET SCPMi/c/b	10.02.02.06080
Plug union, straight	STV-GE M5-AG 4	10.08.02.00468
Plug union, straight	STV-GE M7-AG 6	10.08.02.00469
Mounting bracket	BEF-WIN 15x50x36.1 1.5 SCPM	10.02.02.05824
Thread adapter (inst)	ADP-G M5-IG 10.8x6 SCPMi/c/b	10.02.02.05778
Thread adapter (inst)	ADP-G M7-IG 10.8x7.9 SCPMi/c/b	10.02.02.05522

## Mini Compact Valves SCPM EV

Max. flow rate: 33 l/min

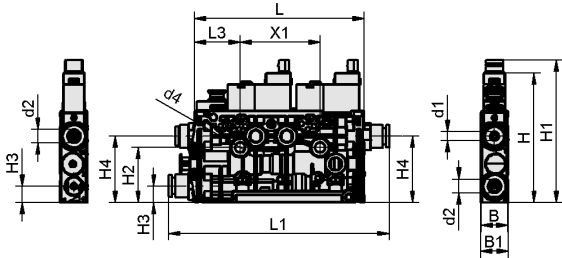
### Technical Data Mini Compact Valves SCPM EV

Type	Electrical connection	Connection	Suction rate (max.) [l/min]	Max. air consumption blow off [l/min]	Optimal operating pressure [bar]	Operating pressure	Operating temperature	Weight [g]
SCPMb EV S09 NC A13	-	Hose D6(1A)-D4(1)-D6(2)	33	10	4.5	4.0 ... 6.0 bar	0 ... 50 °C	75
SCPMb EV S09 NO A16	-	Hose D6(1A)-D4(1)-D6(2)	33	10	4.5	4.0 ... 6.0 bar	0 ... 50 °C	75
SCPMc EV S09 NC M8-6 PNP ABA	Male connect M8, 6 pole	Hose D6(1A)-D4(1)-D6(2)	33	10	4.5	4.0 ... 6.0 bar	0 ... 50 °C	87
SCPMc EV S09 NC M8-6 NPN BTU	Male connect M8, 6 pole	Hose D6(1A)-D4(1)-D6(2)	33	10	4.5	4.0 ... 6.0 bar	0 ... 50 °C	87
SCPMc EV S09 NO M8-6 PNP ABB	Male connect M8, 6 pole	Hose D6(1A)-D4(1)-D6(2)	33	10	4.5	4.0 ... 6.0 bar	0 ... 50 °C	87
SCPMc EV S09 NO M8-6 NPN BT1	Male connect M8, 6 pole	Hose D6(1A)-D4(1)-D6(2)	33	10	4.5	4.0 ... 6.0 bar	0 ... 50 °C	87
SCPMi EV S09 NC M8-6 ABO	Male connect M8, 6 pole	Hose D6(1A)-D4(1)-D6(2)	33	10	4.5	4.0 ... 6.0 bar	0 ... 50 °C	87
SCPMi EV S09 NO M8-6 B3R	Male connect M8, 6 pole	Hose D6(1A)-D4(1)-D6(2)	33	10	4.5	4.0 ... 6.0 bar	0 ... 50 °C	87

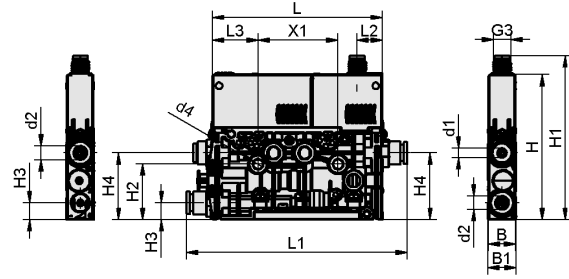
# Mini Compact Valves SCPM EV

Max. flow rate: 33 l/min

## Design Data Mini Compact Valves SCPM EV



SCPMb EV



SCPMc EV, SCPMi EV

## Mini Compact Valves SCPM EV

Max. flow rate: 33 l/min

### Design Data Mini Compact Valves SCPM EV

Type	B [mm]	B1 [mm]	d1 [mm]	d2 [mm]	d4 [mm]	G3	L [mm]	L1 [mm]	L2 [mm]	L3 [mm]	H [mm]	H1 [mm]	H2 [mm]	H3 [mm]	H4 [mm]	X1 [mm]
SCPMb	12	12.5	4.2	6.2	4.3	-	76.5	99.5	-	20.5	58.5	64.50	25.00	7.5	30	36
SCPMc	12	12.5	4.2	6.2	4.3	M8x1-M	76.5	99.4	11.4	20.5	65.3	73.91	24.95	7.5	30	36
SCPMi	12	12.5	4.2	6.2	4.3	M8x1-M	76.5	99.5	11.4	20.5	65.5	73.80	25.00	7.5	30	36