

# Vacuum Blowers SB with Electro-Pneumatic Reversing

Suction rate from 195 m<sup>3</sup>/h to 750 m<sup>3</sup>/h



## Suitability for Industry Specific Applications

### Applications

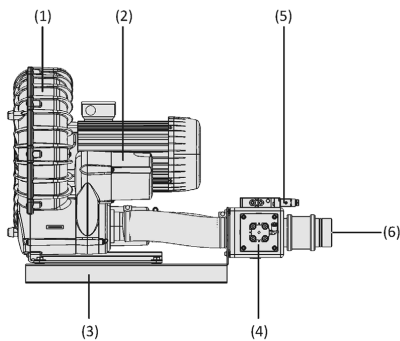
- Vacuum blower for handling of cardboard boxes, foam materials, insulating materials, recycling materials and other extremely porous materials
- Enormous suction capacity easily compensates for any leaks
- Control by electropneumatic reversing
- Use in gripping systems which need a high vacuum flow rate



Vacuum Blowers SB with Electro-Pneumatic Reversing

### Design

- Side-channel compressor (1) with very high suction capacity
- Vacuum limiting valve (2) enables continuous operation
- Mounting bracket (3) for the compact design of the blower with reversing unit
- Reverse valve (4) for direct reversal of suction and blowing air at the gripper
- Control valves (5) with low power consumption
- Working connection (6) for easy connection of the gripper to the vacuum generator



System Design Vacuum Blowers SB with Electro-Pneumatic Reversing

### Product Highlights

- Directly driven side channel compressor optimized for handling porous materials
- Housing and impeller made of die-cast aluminum guarantee vibration-free operation and high suction rate; oil-free and low noise
- Control by means of an attached electropneumatic reversing valve