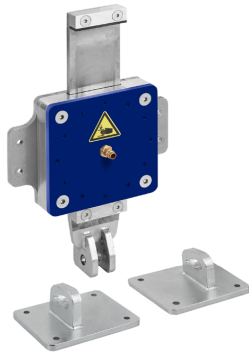
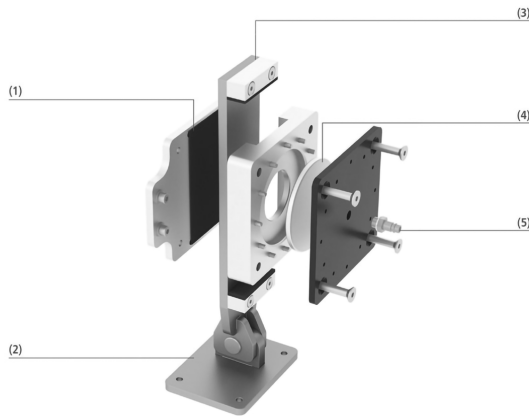


Suspension Clampable FST-C



Suspension Clampable FST-C



System Design Suspension Clampable FST-C

Product Highlights

- Integrated pneumatic clamping function prevents peeling effects when handling twisted boards
- 100 mm stroke for compensation of height tolerances on the workpiece side
- Allows swivel angle up to 60° during handling

Multimedia product presentation

Medium

Product video

Link

<https://vimeo.com/219648859>

Suitability for Industry Specific Applications

Applications

- Clamping suspension unit for area grippers for handling workpiece layers at varying heights
- Handling of warped boards, wooden boards and planks
- Suitable for use in dusty environments
- Workpiece will not detach due to dynamic bending strain (peeling effect)

Design

- Consists of clamping board (3), brake lining (4) and swiveling flange plate (2)
- Back plate (1) for attachment to existing beam
- Compressed air connection (5)
- Can be mounted on area grippers of type FXP/FMP, SBX-C and FMHD