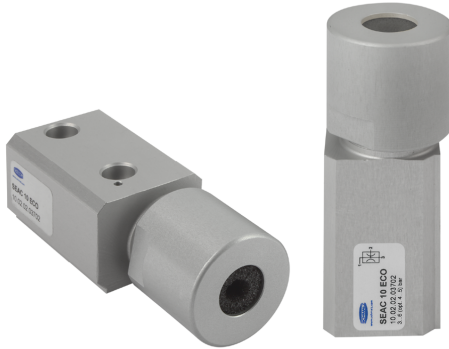


Ejectors with Atmospheric Ventilation SEAC ECO

Suction rate 35 l/min



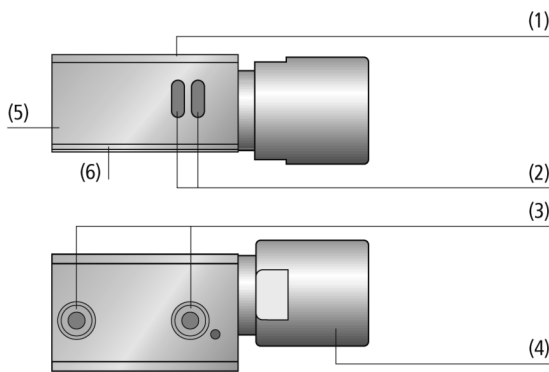
Suitability for Industry Specific Applications



Applications

- Ejector for decentralized vacuum generation for the use in many different applications with short cycle times
- In vacuum systems as economic solution thanks to the automatic release using atmospheric ventilation

Ejectors with Atmospheric Ventilation SEAC ECO



Design

- Main body (1) made of anodized aluminum; smallest possible dimensions and low weight
- Openings (2) for atmospheric ventilation
- Two holes (3) for connecting to holder
- Silencer (4) made of anodized aluminum
- Compressed air connection (5)
- Vacuum connection (6)

System Design Ejectors with Atmospheric Ventilation SEAC ECO

Product Highlights

- Operation with only one compressed air line reduces installation effort and costs for pneumatic accessories
- Atmospheric ventilation reduces energy costs by more than 50 %
- Maintenance-free, cost-saving operation without filters and spare parts

Designation Code Ejectors with Atmospheric Ventilation SEAC ECO

Ejectors with Atmospheric Ventilation SEAC ECO

Suction rate 35 l/min

SEAC ECO	–	10
1		2

1 – Abbreviated designation

Code	Version
SEAC ECO	SEAC ECO

2 – Nozzle size

Code	Diameter in mm
10	ø 1

Ejector SEAC ECO is delivered as a ready-to-connect product.

Available accessoires: holder (ejector adapter)

Ordering Data Ejectors with Atmospheric Ventilation SEAC ECO

Type	Part no.
SEAC 10 ECO	10.02.02.03702

Ordering Data Accessories Ejectors with Atmospheric Ventilation SEAC ECO

Type		Part no.
Ejector adapter	ADP-EJ 45.5x21x44-G1/4-IG SEAC VA-S	10.02.02.03483
Ejector adapter	ADP-EJ 45.5x21x44-G1/4-IG SEAC VA-L	10.02.02.03484
Ejector adapter	ADP-EJ 38x20x11-G1/4-IG SEAC	10.02.02.04067
Ejector adapter	ADP-EJ 38x20x11-G1/8-IG SEAC	10.02.02.04068

Technical Data Ejectors with Atmospheric Ventilation SEAC ECO

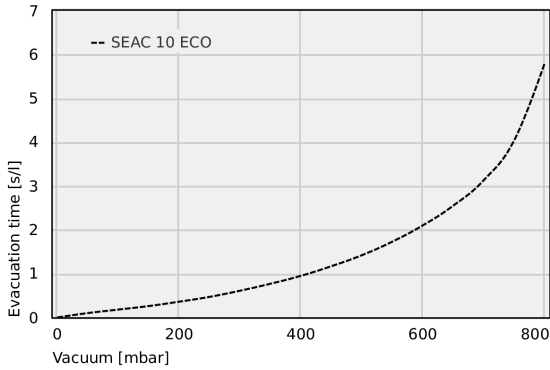
Type	Nozzle diameter [mm]	Degree of evacuation [%]	Suction rate (max.) [l/min]	Suction rate (max.) [m³/h]	Air consumption suction [l/min]*	Pressure range (operating pressure) [bar]	Weight [g]
SEAC 10 ECO	1	85	35	2.1	52	4.0 ... 6.0 bar	95

*At optimal operating pressure (4.5 bar)

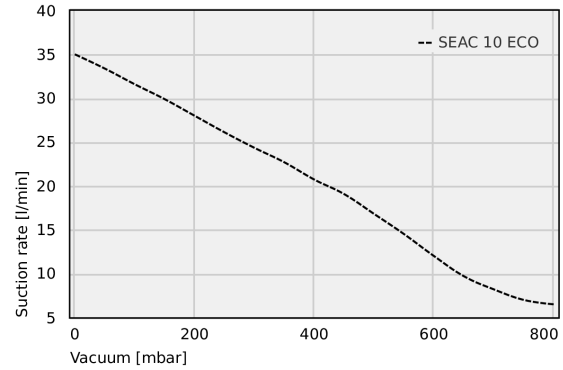
Ejectors with Atmospheric Ventilation SEAC ECO

Suction rate 35 l/min

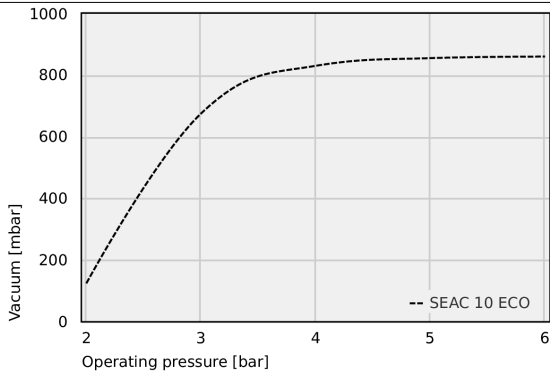
Performance Data Ejectors with Atmospheric Ventilation SEAC ECO



Evacuation times for various vacuum ranges [s/l]



Suction capacity at various degrees of evacuation [l/min]



Achievable vacuum at various operating pressures

Evacuation times for various vacuum ranges [s/l]

	0	50	100	150	200	250	300	350	400	450	500	550	600	650	700	750	800
SEAC 10 ECO	0.00	0.10	0.18	0.26	0.36	0.47	0.61	0.77	0.95	1.17	1.42	1.73	2.10	2.55	3.13	4.04	5.80

Ejectors with Atmospheric Ventilation SEAC ECO

Suction rate 35 l/min

Suction capacity at various degrees of evacuation [l/min]

	0	50	100	150	200	250	300	350	400	450	500	550	600	650	700	750	800
SEAC 10 ECO	35.00	33.38	31.59	29.89	28.00	26.11	24.34	22.69	20.72	19.06	16.80	14.50	12.00	9.70	8.20	7.00	6.50

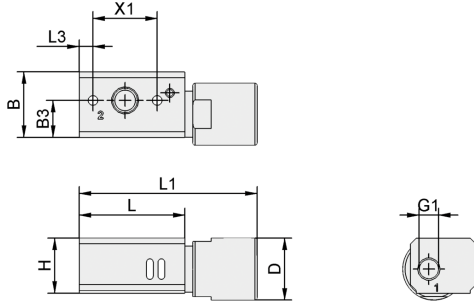
Achievable vacuum at various operating pressures

	2	3	4	5	6
SEAC 10 ECO	123.31	675.00	830.00	855.00	860.00

Ejectors with Atmospheric Ventilation SEAC ECO

Suction rate 35 l/min

Design Data Ejectors with Atmospheric Ventilation SEAC ECO



SEAC ECO

Design Data Ejectors with Atmospheric Ventilation SEAC ECO

Type	B [mm]	B3 [mm]	D [mm]	G1	H [mm]	L [mm]	L1 [mm]	L3 [mm]	X1 [mm]
SEAC 10 ECO	28.5	16.1	27	G1/8"-F	24	46	77.5	6	28