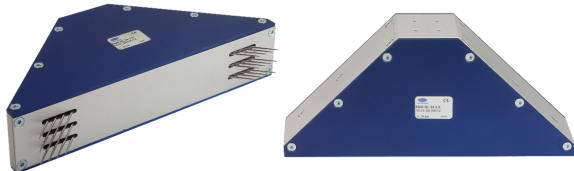
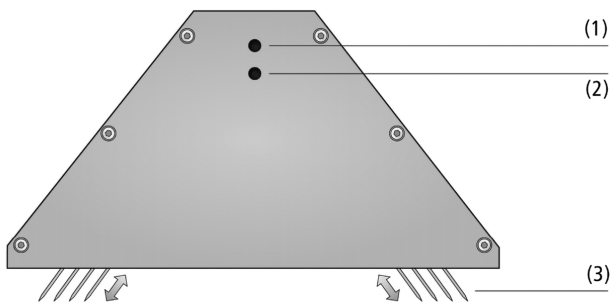


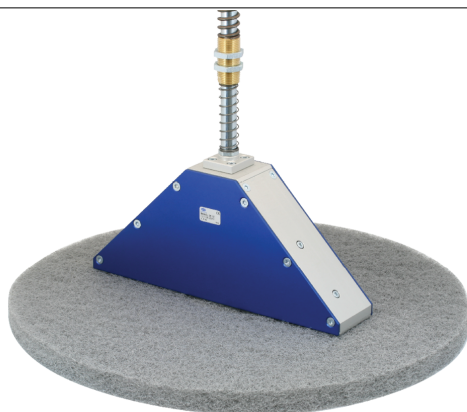
# Needle Grippers SNG-DL



Needle Grippers SNG-DL



System Design Needle Grippers SNG-DL



Needle grippers SNG-DL when handling textiles

## Suitability for Industry Specific Applications

### Applications

- Needle gripper for handling of flexible, non-rigid components
- Handling of materials which are difficult to grip with vacuum, such as composite textiles, fleece, felt, carpets, metal foam, insulating mats, foam materials, etc.

### Design

- Robust aluminum housing
- 24 needles (3)
- Extension (1) and retraction (2) of the needles controlled by compressed air (2 circuits)
- Optional connection of the needle gripper via mounting plate
- Plunge angle 45°

### Product Highlights

- Robust design with high stroke for rough conditions and heavy workpieces
- Needle diameter can be selected to suit the individual application
- Double-acting pneumatic cylinder minimizes cycle times
- Synchronized extension of the needles guarantees safe handling of the workpieces
- Optional adapter flange plate allows perfect adaptation to further mounting components

Needle Grippers

# Needle Grippers SNG-DL

