

Touch Valves TV / TVN

Nominal flow from 12 l/min to 160 l/min



Touch Valves TV / TVN

Design

- Touch valve with spring loaded plunger and protective cap
- Type TVN with molded-on suction cup nipple for direct mounting
- Does not react if the suction cup is only partially in contact with the workpiece

Suitability for Industry Specific Applications

Applications

- Valve for applications where some of the suction cups may not always be in contact with the workpiece
- Vacuum line to a suction cup is opened only if a workpiece is detected by a mechanical sensor
- May be installed in any orientation

Product Highlights

- Mechanically actuated valve with spring loaded plunger opens vacuum line only when the suction cups are occupied
- Suitable for all workpiece materials, even porous materials
- Minimum size allows use in the tightest of spaces

Designation Code Touch Valves TV / TVN

| | | | | | | |
|-----------|---|----------------|---|----------|---|-------------|
| TV | - | G1/4-AG | - | 9 | - | N009 |
| 1 | | 2 | | 3 | | 4 |

1 - Abbreviated designation

| Code | Version |
|------|----------------------------|
| TV | Without suction cup nipple |
| TVN | With suction cup nipple |

2 - Connection

| Code | Connection |
|---------|-------------------------|
| G1/8-AG | G1/8-AG (AG = male (M)) |
| G1/4-AG | G1/4-AG |
| G1/2-AG | G1/2-AG |

3 - Plunger stroke

| Code | Stroke in mm |
|--------|--------------|
| 5...13 | 5 to 13 |

4 - Nipple family

| Code | Type |
|------------|-----------------------|
| N007... | N007 to N009 and N041 |
| N009, N041 | |

Touch valve TV / TVN is delivered as a ready-to-connect product.

Touch Valves TV / TVN

Nominal flow from 12 l/min to 160 l/min

Ordering Data Touch Valves TV / TVN

| Type | Part no. |
|----------------------|----------------|
| TV G1/4-AG 5 | 10.05.10.00064 |
| TV G1/4-AG 13 | 10.05.10.00061 |
| TV G1/2-AG 13 | 10.05.10.00038 |
| TVN G1/8-AG 6 N007 | 10.05.10.00021 |
| TVN G1/8-AG 6.5 N008 | 10.05.10.00023 |
| TVN G1/4-AG 8.4 N041 | 10.05.10.00058 |
| TVN G1/4-AG 9 N009 | 10.05.10.00065 |

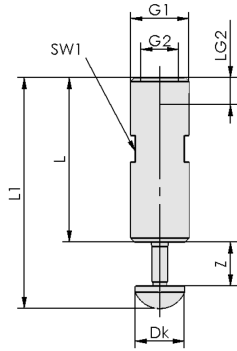
Technical Data Touch Valves TV / TVN

| Type | Nominal flow rate [l/min] | Nominal flow rate [m ³ /h] |
|----------------------|---------------------------|---------------------------------------|
| TV G1/4-AG 5 | 55 | 3.3 |
| TV G1/4-AG 13 | 55 | 3.3 |
| TV G1/2-AG 13 | 160 | 9.6 |
| TVN G1/8-AG 6 N007 | 12 | 0.7 |
| TVN G1/8-AG 6.5 N008 | 12 | 0.7 |
| TVN G1/4-AG 8.4 N041 | 78 | 4.6 |
| TVN G1/4-AG 9 N009 | 78 | 4.6 |

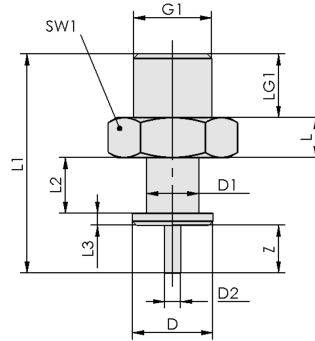
Touch Valves TV / TVN

Nominal flow from 12 l/min to 160 l/min

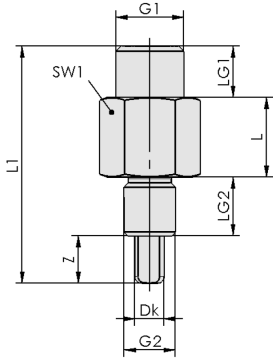
Design Data Touch Valves TV / TVN



TV



TVN 6 - 8.4



TVN 9

Touch Valves TV / TVN

Nominal flow from 12 l/min to 160 l/min

Design Data Touch Valves TV / TVN

| Type | D [mm] | D1 [mm] | D2 [mm] | Dk [mm] | G1 | G2 | L [mm] | L1 [mm] | L2 [mm] | L3 [mm] | LG1 [mm] | LG2 [mm] | SW1 [mm] | Z (Stroke) [mm] |
|----------------------|--------|---------|---------|---------|---------|------------|--------|---------|---------|---------|----------|----------|----------|-----------------|
| TV G1/4-AG 5 | - | - | - | 11 | G1/4"-M | G1/8"-F | 45.5 | 55.7 | - | - | - | 6 | 11 | 5.0 |
| TV G1/4-AG 13 | - | - | - | 11 | G1/4"-M | G1/8"-F | 45.5 | 63.1 | - | - | - | 6 | 11 | 13.0 |
| TV G1/2-AG 13 | - | - | - | 11 | G1/2"-M | G3/8"-F | 54.5 | 67.5 | - | - | - | 12 | 19 | 13.0 |
| TVN G1/8-AG 6 N007 | 10 | 6.5 | 2.0 | - | G1/8"-M | - | 5.0 | 27.5 | 7.0 | 1.5 | 8 | - | 14 | 6.0 |
| TVN G1/8-AG 6.5 N008 | 14 | 8.5 | 2.0 | - | G1/8"-M | - | 5.0 | 28.5 | 7.0 | 1.5 | 8 | - | 14 | 6.5 |
| TVN G1/4-AG 8.4 N041 | 17 | 8.7 | 6.0 | - | G1/4"-M | - | 10.0 | 45.7 | 12.3 | 3.0 | 11 | - | 17 | 8.4 |
| TVN G1/4-AG 9 N009 | - | - | - | 6 | G1/4"-M | M10x1.25-M | 15.5 | 47.0 | - | - | 10 | 12 | 17 | 9.0 |