

Check Valves SVN

Connection thread G1/4"



Suitability for Industry Specific Applications



Applications

- Check valve for handling porous workpieces
- Deactivation of unused suction cups, the system vacuum is maintained

Check Valves SVN

Design

- Flying ball valve mounted in a space saving manner in an aluminum body
- Blow off function provides self-cleaning effect for use in dusty surroundings
- Molded-on nipple for various types of suction cups (size identical to that of a standard nipple)

Product Highlights

- Check valve with missile narrows the vacuum line when the suction cups are not occupied; ideal for porous workpieces
- Thanks to the molded-on suction cup nipple, no additional nipple is required for many suction cups
- Self-cleaning check valve optimized for use in dusty environments

Designation Code Check Valves SVN

SVN	-	G1/4-AG	-	N011
1		2		3

1 - Abbreviated designation

Code	Version
SVN	SVN

2 - Connection

Code	Connection
G1/4-AG M10x1.25	G1/4-AG M10x1.25
G1/4-AG	G1/4-AG (AG = male (M))

3 - Nipple family

Code	Type
N009...N019	N009...N019

Check valve SVN is delivered as a ready-to-connect product.

Check Valves SVN

Connection thread G1/4"

Ordering Data Check Valves SVN

Type	Part no.
SVN G1/4-AG N011	10.05.03.00068
SVN G1/4-AG N012	10.05.03.00074
SVN G1/4-AG N013	10.05.03.00066
SVN G1/4-AG N014	10.05.03.00070
SVN G1/4-AG N015	10.05.03.00072
SVN G1/4-AG N018	10.05.03.00054
SVN G1/4-AG N019	10.05.03.00056
SVN G1/4-AG M10x1.25-AG N009	10.05.03.00060

Technical Data Check Valves SVN

Type	Evacuation rate for pu = -0.3 bar [m³/ h]	Evacuation rate for pu = -0.3 bar [l/ min]	Evacuation rate for pu = -0.6 bar [m³/ h]	Evacuation rate for pu = -0.6 bar [l/ min]	Flow rate max. [m³/ h]*	Flow rate max. [l/ min]**	Weight [g]
SVN G1/4-AG N011	2.3	38.3	3.3	55	27	450	8
SVN G1/4-AG N012	2.3	38.3	3.3	55	27	450	15
SVN G1/4-AG N013	2.3	38.3	3.3	55	27	450	9
SVN G1/4-AG N014	2.3	38.3	3.3	55	27	450	12
SVN G1/4-AG N015	2.3	38.3	3.3	55	27	450	18
SVN G1/4-AG N018	2.3	38.3	3.3	55	27	450	8
SVN G1/4-AG N019	2.3	38.3	3.3	55	27	450	18
SVN G1/4-AG M10x1.25-AG N009	2.3	38.3	3.3	55	27	450	10

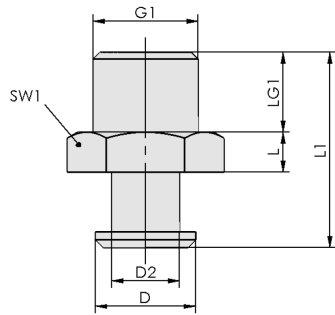
*Blow off pressure 5 bar

**Blow off pressure 5 bar

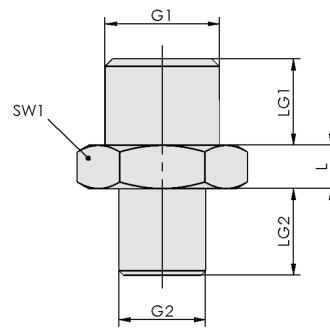
Check Valves SVN

Connection thread G1/4"

Design Data Check Valves SVN



SVN N011 - N019



SVN N009

Check Valves SVN

Connection thread G1/4"

Design Data Check Valves SVN

Type	D [mm]	D2 [mm]	G1	G2	L [mm]	LG1 [mm]	LG2 [mm]	L1 [mm]	SW1 [mm]
SVN G1/4-AG N011	12.5	8.5	G1/4"-M	-	5	10	-	25.0	17
SVN G1/4-AG N012	18.0	13.0	G1/4"-M	-	5	10	-	29.5	22
SVN G1/4-AG N013	12.5	8.5	G1/4"-M	-	5	10	-	28.5	17
SVN G1/4-AG N014	16.5	12.5	G1/4"-M	-	5	10	-	29.5	17
SVN G1/4-AG N015	16.5	13.0	G1/4"-M	-	5	10	-	37.5	22
SVN G1/4-AG N018	14.0	9.0	G1/4"-M	-	5	11	-	29.0	17
SVN G1/4-AG N019	20.0	13.5	G1/4"-M	-	6	11	-	40.0	21
SVN G1/4-AG M10x1.25-AG N009	-	-	G1/4"-M	M10x1.25-M	5	10	10	-	17