

Oil-Lubricated Vacuum Pumps EVE-OG

Suction rate from 10 m³/h to 255 m³/h



Suitability for Industry Specific Applications



Applications

- Vacuum pump for universal use in a wide range of different applications in the sector of automatic and manual handling
- Handling of airtight and porous workpieces
- For use as a central vacuum generator with high maximum vacuum

Oil-Lubricated Vacuum Pumps EVE-OG

Design

- Oil-lubricated vacuum pump with integrated oil separator, three phase power supply, optionally available with additional filter and motor protection circuit
- Multi vane rotary vacuum pump with constant, low pulsation output; very little vibration
- Compact design with integrated cooling fan and permanently lubricated bearings

Product Highlights

- Robust and low-maintenance oil-lubricated pump for constant vacuum generation
- Multi-cell compressor principle guarantees vibration-free operation and low-pulsation, continuous output
- Excellent heat dissipation thanks to permanently lubricated bearings and powerful cooling fan
- Individually adjustable suction flow rate for optimized air consumption and a wide range of applications

Designation Code Oil-Lubricated Vacuum Pumps EVE-OG

EVE	–	OG	–	40	–	AC3	–	F
1		2		3		4		5

1 – Abbreviated designation

Code	Version
EVE	EVE

2 – Pump type

Code	Type
OG	Oil-lubricated

3 – Performance class

Code	Suction rate in m ³ /h
10...255	10 to 255

4 – Supply voltage

Code	Type
AC3	Three phase

5 – Product addition

Code	Type
F	Additional filter

Vacuum pump EVE-OG is delivered as a ready-to-connect product.

Available spare parts: filter cartridge (filter insert), replacement oil, maintenance kit (set of parts subject to wear pump)

Available accessories: motor-protection switch, filter resistance gauge (pressure manometer)

Oil-Lubricated Vacuum Pumps EVE-OG

Suction rate from 10 m³/h to 255 m³/h

Ordering Data Oil-Lubricated Vacuum Pumps EVE-OG

Type*	Part no.
EVE-OG 10 AC3	10.03.02.00067
EVE-OG 10 AC3 F	10.03.02.00082
EVE-OG 16 AC3	10.03.02.00047
EVE-OG 16 AC3 F	10.03.02.00083
EVE-OG 25 AC3	10.03.02.00084
EVE-OG 25 AC3 F	10.03.02.00020
EVE-OG 40 AC3	10.03.02.00026
EVE-OG 40 AC3 F	10.03.02.00031
EVE-OG 63 AC3	10.03.02.00027
EVE-OG 63 AC3 F	10.03.02.00032
EVE-OG 100 AC3	10.03.02.00028
EVE-OG 100 AC3 F	10.03.02.00033
EVE-OG 165 AC3	10.03.02.00048
EVE-OG 165 AC3 F	10.03.02.00049
EVE-OG 255 AC3	10.03.02.00051
EVE-OG 255 AC3 F	10.03.02.00052

*Motorprotection with thermoelement as standard

Ordering Data Spare Parts Oil-Lubricated Vacuum Pumps EVE-OG

Type*	Part no.
Oil OEL EVE-OG 1L ANDEROL 555	27.02.01.00055
Oil OEL EVE-OG 5L ANDEROL 555	27.02.01.00056

*EVE-OG 10-40: 1 l, EVE-OG 63-100: 2 l, EVE-OG 165-255: 7 l | 27.02.01.00055: 1 l, 27.02.01.00056: 5 l

Type	Spare Parts	Part no.
EVE-OG 10	Set of parts subject to wear pump	VST EVE-OG-10-16C 10.03.02.00075
EVE-OG 16	Set of parts subject to wear pump	VST EVE-OG-10-16C 10.03.02.00075
EVE-OG 25	Set of parts subject to wear pump	VST EVE-OG-25-40 10.03.02.00060
EVE-OG 40	Set of parts subject to wear pump	VST EVE-OG-25-40 10.03.02.00060
EVE-OG 63	Set of parts subject to wear pump	VST EVE-OG-63-100 10.03.02.00055
EVE-OG 100	Set of parts subject to wear pump	VST EVE-OG-63-100 10.03.02.00055
EVE-OG 165	Set of parts subject to wear pump	VST EVE-OG-165-255 10.03.02.00057
EVE-OG 255	Set of parts subject to wear pump	VST EVE-OG-165-255 10.03.02.00057

Type	Spare Parts	Part no.
EVE-OG 10	Filter insert (round)	FILT-EINS 3 65x70 PAP STF-3/4-IG 10.07.01.00017
EVE-OG 16	Filter insert (round)	FILT-EINS 3 65x70 PAP STF-3/4-IG 10.07.01.00017
EVE-OG 25	Filter insert (round)	FILT-EINS 3 65x70 PAP STF-3/4-IG 10.07.01.00017
EVE-OG 40	Filter insert (round)	FILT-EINS 3 98x70 PAP STF-1-1/4-IGN 10.07.01.00018
EVE-OG 63	Filter insert (round)	FILT-EINS 3 98x70 PAP STF-1-1/4-IGN 10.07.01.00018
EVE-OG 100	Filter insert (round)	FILT-EINS 3 98x70 PAP STF-1-1/4-IGN 10.07.01.00018
EVE-OG 165	Filter insert (round)	FILT-EINS 3 150x222 PAP STF-2-1/2-IG 10.07.01.00020
EVE-OG 255	Filter insert (round)	FILT-EINS 3 150x222 PAP STF-2-1/2-IG 10.07.01.00020

Oil-Lubricated Vacuum Pumps EVE-OG

Suction rate from 10 m³/h to 255 m³/h

Ordering Data Accessories Oil-Lubricated Vacuum Pumps EVE-OG

Type	Accessories			Part no.
EVE-OG	10	Motor-protection switch	MSS-K 1-1.6A	10.04.04.00118
EVE-OG	16	Motor-protection switch	MSS-K 1.6-2.5A	10.04.04.00119
EVE-OG	25	Motor-protection switch	MSS-K 2.5-4A	10.04.04.00120
EVE-OG	40	Motor-protection switch	MSS-K 2.5-4A	10.04.04.00120
EVE-OG	63	Motor-protection switch	MSS-K 4-6.3A	10.04.04.00121
EVE-OG	100	Motor-protection switch	MSS-K 6.3-10A	10.04.04.00122
EVE-OG	165	Motor-protection switch	MSS-K 8-12A	10.04.04.00123
EVE-OG	255	Motor-protection switch	MSS-K 10-16A	10.04.04.00124

Type	Accessories			Part no.
EVE-OG	10	Pressure manometer	DRM 40 P1 H	10.07.02.00050
EVE-OG	16	Pressure manometer	DRM 40 P1 H	10.07.02.00050
EVE-OG	25	Pressure manometer	DRM 40 P1 H	10.07.02.00050
EVE-OG	40	Pressure manometer	DRM 40 P1 H	10.07.02.00050
EVE-OG	63	Pressure manometer	DRM 40 P1 H	10.07.02.00050
EVE-OG	165	Pressure manometer	DRM 40 P1 H	10.07.02.00051
EVE-OG	255	Pressure manometer	DRM 40 P1 H	10.07.02.00051

Accessories			Part no.
Accessories	ZUB EVE-OG Ölabblass-Kit		22.09.03.00038

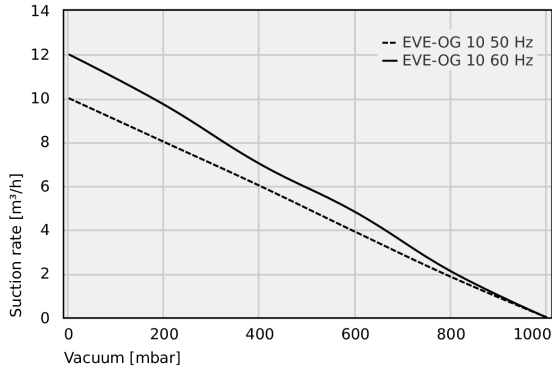
Technical Data Oil-Lubricated Vacuum Pumps EVE-OG

Type	Max. vacuum [mbar]	Suction rate (50 Hz) [m ³ /h]	Voltage 50 Hz	Current range (50 Hz)	Rated power 50 Hz [kW]	Protection type IP	Weight [kg]	Sound level at 50 Hz [dB(A)]
EVE-OG 10 AC3	-980	10	230/400-AC	1.9A or 1.1A	0.37	IP 54	19	49
EVE-OG 16 AC3	-980	16	230/400-AC	2.8A or 1.6A	0.50	IP 55	19	44
EVE-OG 25 AC3	-980	25	230/400-AC	3.2A or 1.86A	0.75	IP 54	34	60
EVE-OG 40 AC3	-980	40	230/400±10	4.8A or 2.8A	1.11	IP 54	38	64
EVE-OG 63 AC3	-980	63	230/400±10	6.2A or 3.6A	1.50	IP 54	52	65
EVE-OG 100 AC3	-980	100	230/400±10	8.8A or 5.0A	2.21	IP 54	70	67
EVE-OG 165 AC3	-980	165	230/400AC3	14.8 / 8.5A	4.00	IP 55	160	70
EVE-OG 255 AC3	-980	255	400/690AC3	-	5.50	IP 54	195	72

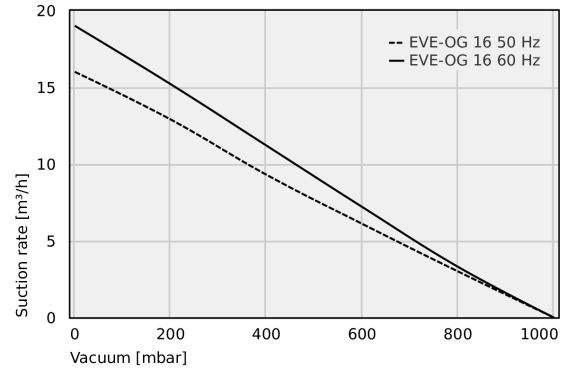
Oil-Lubricated Vacuum Pumps EVE-OG

Suction rate from 10 m³/h to 255 m³/h

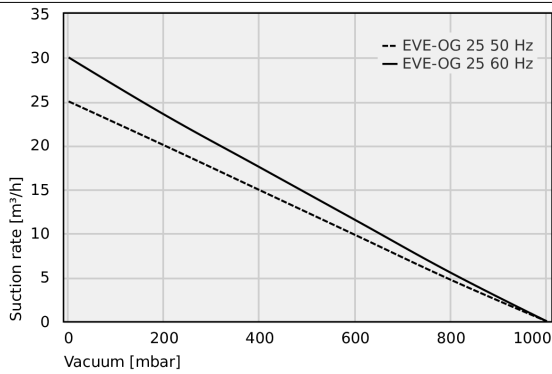
Performance Data Oil-Lubricated Vacuum Pumps EVE-OG



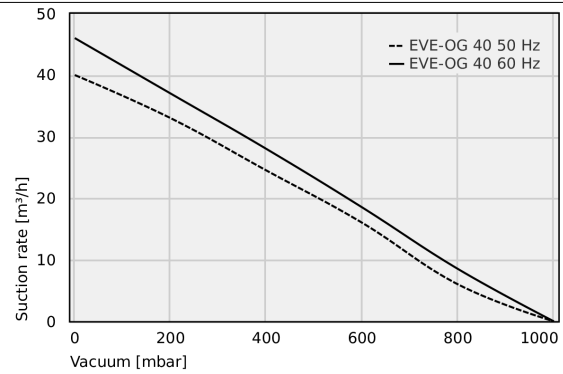
Suction capacity at various degrees of evacuation



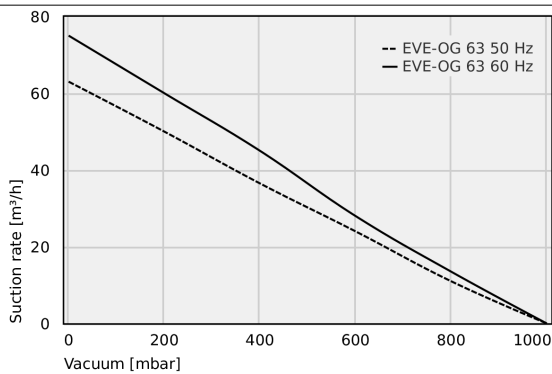
Suction capacity at various degrees of evacuation



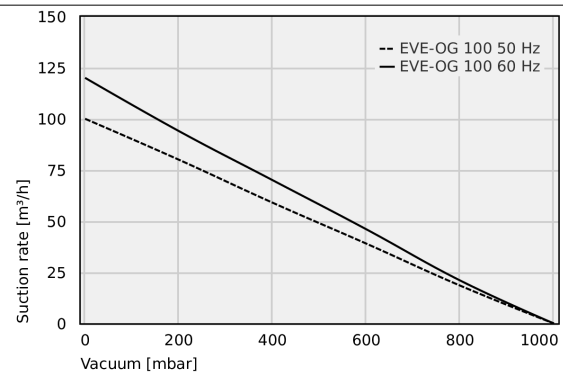
Suction capacity at various degrees of evacuation



Suction capacity at various degrees of evacuation



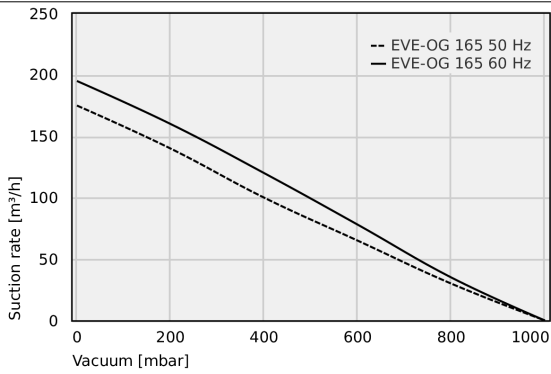
Suction capacity at various degrees of evacuation



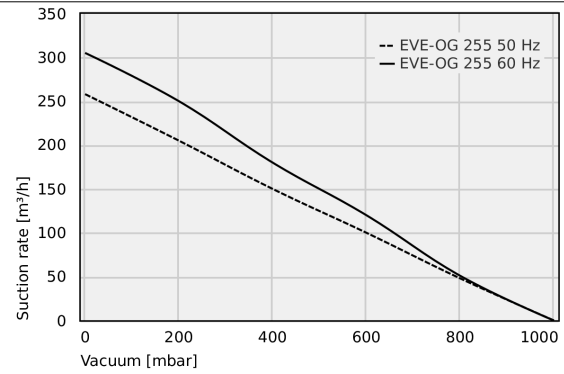
Suction capacity at various degrees of evacuation

Oil-Lubricated Vacuum Pumps EVE-OG

Suction rate from 10 m³/h to 255 m³/h



Suction capacity at various degrees of evacuation



Suction capacity at various degrees of evacuation

Suction capacity at various degrees of evacuation

Typ	0	200	400	600	800	1000
EVE-OG 10 50 Hz	10.00	8.00	6.00	3.90	1.85	-
EVE-OG 10 60 Hz	12.00	9.70	7.00	4.80	2.10	-

Oil-Lubricated Vacuum Pumps EVE-OG

Suction rate from 10 m³/h to 255 m³/h

Typ	0	200	400	600	800	1000
EVE-OG 16 50 Hz	16	12.9	9.3	6.1	3	-
EVE-OG 16 60 Hz	19	15.2	11.2	7.2	3.3	-

Typ	0	200	400	600	800	1000
EVE-OG 25 50 Hz	25	20	14.9	9.8	4.7	-
EVE-OG 25 60 Hz	30	23.5	17.5	11.5	5.5	-

Typ	0	200	400	600	800	1000
EVE-OG 40 50 Hz	40	33	24.5	16	6	-
EVE-OG 40 60 Hz	46	37	28	18.5	8.5	-

Typ	0	200	400	600	800	1000
EVE-OG 63 50 Hz	63	50	36.5	24	11	-
EVE-OG 63 60 Hz	75	60	45	28	13.5	-

Typ	0	200	400	600	800	1000
EVE-OG 100 50 Hz	100	80	59	39	18.5	-
EVE-OG 100 60 Hz	120	94	70	46	21	-

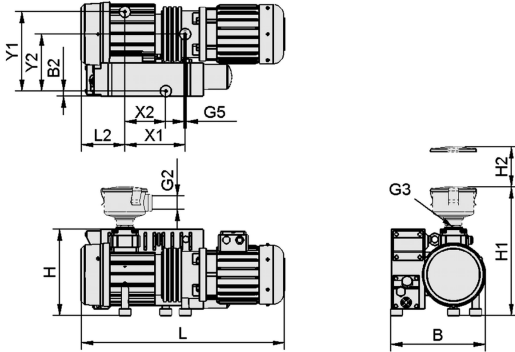
Typ	0	200	400	600	800	1000
EVE-OG 165 50 Hz	175	140	100	65	30	-
EVE-OG 165 60 Hz	195	160	120	78	35	-

Typ	0	200	400	600	800	1000
EVE-OG 255 50 Hz	258	205	150	100	48	-
EVE-OG 255 60 Hz	305	250	180	120	51	-

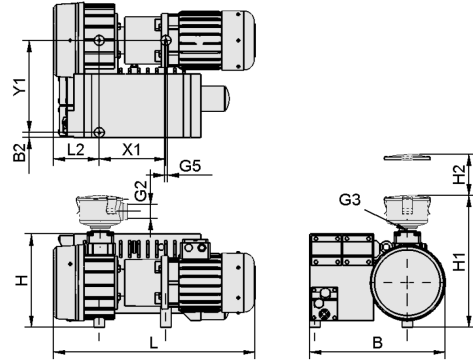
Oil-Lubricated Vacuum Pumps EVE-OG

Suction rate from 10 m³/h to 255 m³/h

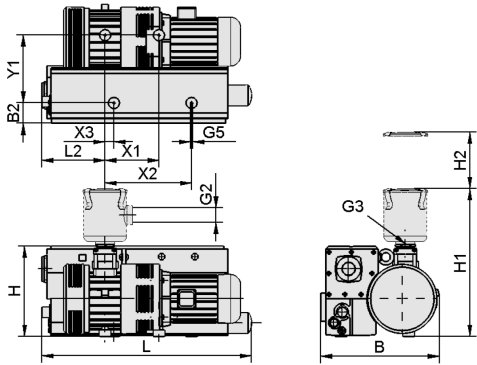
Design Data Oil-Lubricated Vacuum Pumps EVE-OG



EVE-OG 10 - 40 AC3 (F)



EVE-OG 63 - 100 AC3 (F)



EVE-OG 165 - 255 AC3 (F)

Oil-Lubricated Vacuum Pumps EVE-OG

Suction rate from 10 m³/h to 255 m³/h

Design Data Oil-Lubricated Vacuum Pumps EVE-OG

Type	B [mm]	B2 [mm]	G2	G3	G5	H [mm]	H1 [mm]	H2 [mm]	L [mm]	L2 [mm]	X1 [mm]	X2 [mm]	X3 [mm]	Y1 [mm]	Y2 [mm]
EVE-OG 10 AC3	212	26	-	G3/4"-F	M8-F	211	-	-	422	63	176	-	-	111	-
EVE-OG 10 AC3 F	212	26	G3/4"-F	G3/4"-F	M8-F	211	320	70	422	63	176	-	-	111	-
EVE-OG 16 AC3	215	26	-	G3/4"-F	M8-F	216	-	-	436	63	176	-	-	111	107
EVE-OG 16 AC3 F	215	26	G3/4"-F	G3/4"-F	M8-F	216	305	70	435	63	176	-	-	111	107
EVE-OG 25 AC3	284	17	-	G1-1/4"-F	M8-F	260	-	-	568	131	159	120	-	238	171
EVE-OG 25 AC3 F	284	17	G3/4"-F	G1-1/4"-F	M8-F	260	380	75	568	131	159	120	-	238	171
EVE-OG 40 AC3	284	15	-	G1-1/4"-F	M8-F	260	-	-	625	130	179	123	-	238	171
EVE-OG 40 AC3 F	284	15	G1-1/4"-F	G1-1/4"-F	M8-F	260	390	75	625	130	179	123	-	238	171
EVE-OG 63 AC3	406	15	-	G1-1/4"-F	M8-F	280	-	-	614	137	199	-	-	277	-
EVE-OG 63 AC3 F	406	15	G1-1/4"-F	G1-1/4"-F	M8-F	280	417	75	614	137	199	-	-	277	-
EVE-OG 100 AC3	406	15	-	G1-1/4"-F	M8-F	280	-	-	696	170	226	-	-	277	-
EVE-OG 100 AC3 F	406	15	G1-1/4"-F	G1-1/4"-F	M8-F	280	417	75	696	170	226	-	-	277	-
EVE-OG 165 AC3	542	94	-	G2"-F	M10-F	418	-	-	890	253	243	430	40	305	-
EVE-OG 165 AC3 F	542	94	G2-1/2-F	G2-F	M10-F	418	680	240	890	253	243	430	40	305	-
EVE-OG 255 AC3	554	54	-	G2"-F	M10-F	410	-	-	1,056	293	303	390	-	350	-
EVE-OG 255 AC3 F	554	54	G2-1/2-F	G2-F	M10-F	410	680	240	1,056	293	303	390	-	350	-