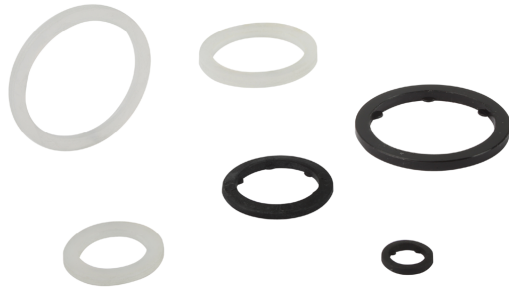


Sealing Rings DR

For thread from M3 to G1-1/2"



Suitability for Industry Specific Applications



Applications

- Sealing of connection nipples and other connecting elements

Sealing Rings DR

Design

- Polyamide sealing ring Easy-Fix with internal locking element to secure the ring on the thread

Product Highlights

- Sealing rings made of polyamide PA with best sealing properties
- Optional with Easy-Fix, so that the sealing ring does not slide off the thread during (dis)assembly
- Wide range of diameters for diverse requirements

Designation Code Sealing Rings DR

DR	-	M5	-	PA	-	Easy-Fix
1		2		3		4

1 - Abbreviated designation

Code	Version
DR	DR

2 - Connection

Code	Connection
M3...G1-1/2	M3...G1-1/2

3 - Material

Code	Material
PA	Polyamide

4 - Product addition

Code	Type
Easy-Fix	Internal locking element Easy-Fix

Sealing ring is delivered in the desired diameter.

Sealing Rings DR

For thread from M3 to G1-1/2"

Ordering Data Sealing Rings DR

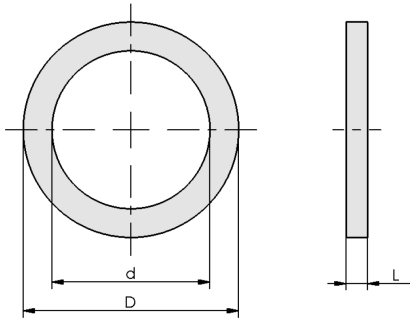
Type*	Part no.
DR M3 6/3.5x1 PA	10.07.08.00018
DR M5 8/5x1.2 PA	10.07.08.00019
DR G1/8 15/10x1.5 PA	10.07.08.00020
DR G1/4 18/13.5x1.5 PA	10.07.08.00021
DR G3/8 22/17x2 PA	10.07.08.00022
DR G1/2 26/21.5x1.5 PA	10.07.08.00023
DR G3/4 33/27x2 PA	10.07.08.00024
DR G1 39/34x2 PA	10.07.08.00025
DR G1-1/4 49/42x2 PA	10.07.08.00026
DR G1-1/2 55/48x2 PA	10.07.08.00027
DR M5 PA Easy-Fix	10.07.08.00245
DR G1/8 PA Easy-Fix	10.07.08.00247
DR G1/4 PA Easy-Fix	10.07.08.00248
DR G3/8 PA Easy-Fix	10.07.08.00249
DR G1/2 PA Easy-Fix	10.07.08.00250
DR G3/4 PA Easy-Fix	10.07.08.00251
DR G1 PA Easy-Fix	10.07.08.00252

*Sealing ring Easy-Fix with inner centering pins. Ensures optimal sealing. Cannot slip off the thread when the screw connection is opened.

Sealing Rings DR

For thread from M3 to G1-1/2"

Design Data Sealing Rings DR



DR

Sealing Rings DR

For thread from M3 to G1-1/2"

Design Data Sealing Rings DR

Type	d [mm]	D [mm]	L [mm]
DR M3 6/3.5x1 PA	3.5	6.0	1.0
DR M5 8/5x1.2 PA	5.0	8.0	1.2
DR G1/8 15/10x1.5 PA	10.0	15.0	1.5
DR G1/4 18/13.5x1.5 PA	13.5	18.0	1.5
DR G3/8 22/17x2 PA	17.0	22.0	2.0
DR G1/2 26/21.5x1.5 PA	21.5	26.0	1.5
DR G3/4 33/27x2 PA	27.0	33.0	2.0
DR G1 39/34x2 PA	34.0	39.0	2.0
DR G1-1/4 49/42x2 PA	42.0	49.0	2.0
DR G1-1/2 55/48x2 PA	48.0	55.0	2.0