

# Assembly instructions for transport



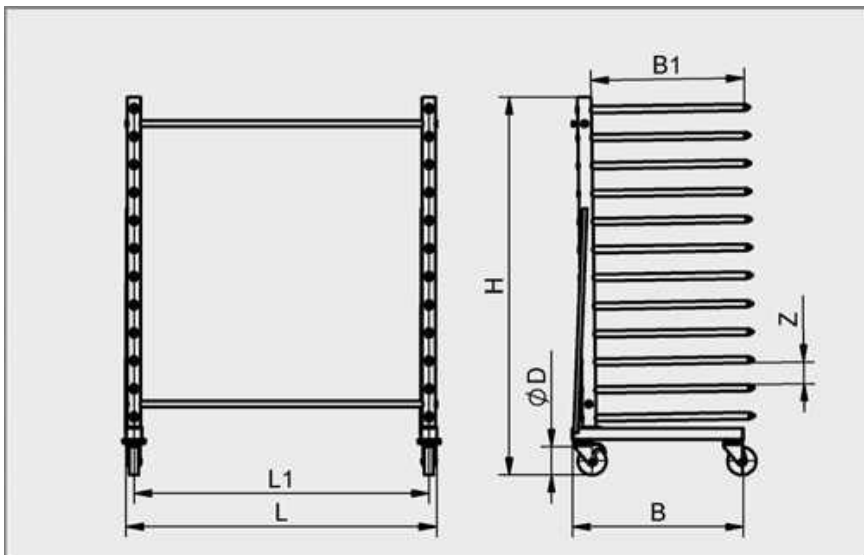
J. Schmalz GmbH  
 Aacher Straße 29  
 72293 Glatten, Germany  
 +49 7443 / 2403-0, Fax -

## Technical data

Designation	Number of rakes	No. of levels	W1 [mm]	Z [mm]	L1 [mm]	L [mm]	W [mm]
HW-680x1380-R2/12	2	12	680	96	1300	1380	790
HW-680x1380-R2/16	2	16	680	69	1300	1380	790
HW-680x1380-R4/12	4	12	680	96	1300	1380	790
HW-680x1380-R4/16	4	16	680	69	1300	1380	790
HW-680x1380-R2/12-STE	2	12	680	96	1300	1380	790
HW-680x1380-R2/16-STE	2	16	680	69	1300	1380	790
HW-680x1380-R4/12-STE	4	12	680	96	1300	1380	790
HW-680x1380-R4/16-STE	4	16	680	69	1300	1380	790

Designation	H [mm]	D [mm]	Lift capacity [kg]	Weight [kg]	Part no.	Price [€]
HW-680x1380-R2/12	1677	125	240	47	15.02.01.00068	465,-
HW-680x1380-R2/16	1677	125	240	51	15.02.01.00074	520,-
HW-680x1380-R4/12	1677	125	300	77	15.02.01.00069	765,-
HW-680x1380-R4/16	1677	125	300	81	15.02.01.00075	835,-
HW-680x1380-R2/12-STE	1677	125	240	47	15.02.01.00084	495,-
HW-680x1380-R2/16-STE	1677	125	240	51	15.02.01.00086	555,-
HW-680x1380-R4/12-STE	1677	125	300	77	15.02.01.00085	820,-
HW-680x1380-R4/16-STE	1677	125	300	81	15.02.01.00087	920,-

## Drawing



## Parts list

Designation	Quantity							
	15.02.01.00068	15.02.01.00074	15.02.01.00069	15.02.01.00075	15.02.01.00084	15.02.01.00086	15.02.01.00085	15.02.01.00087
Side element	2	2	2	2	2	2	2	2
Rake, loose	-	-	2	2	-	-	2	2
Connecting rod	2	2	2	2	2	2	2	2

## ***Delivery condition***

The two side elements and loose rakes are connected by two short rods upon delivery. The two connecting rods are supplied loose.

## ***Assembly***

Unscrew and pull out short assembly rod (the short rod is no longer needed). Push the supplied connecting rod through the corresponding holes in the side elements and rakes and fix it using screws / wing nuts.

Proceed as described with second mounting rod.

## ***Handling***

The two middle rakes are adjustable. Procedure:

- Release wing nuts on the rear side of the rakes

- Push rake to desired position

- Fix rake using wing nuts

## ***Maintenance***

Drying trolleys are maintenance-free.

The trolley's impellers can be oiled when required.

# Assembly instructions for transport



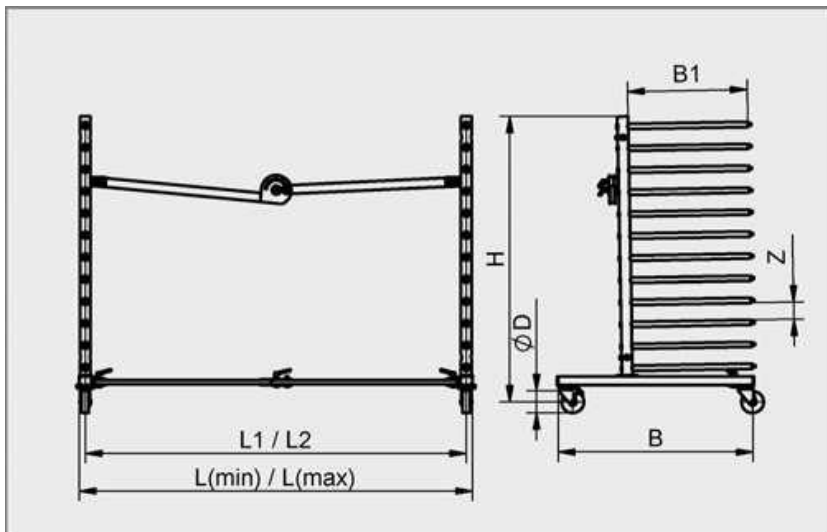
J. Schmalz GmbH  
Aacher Straße 29  
72293 Glatten, Germany  
+49 7443 / 2403-0, Fax -

## Technical data

Designation	Number of rakes	Number Levels	B1(min) [mm]	B1 (max) [mm]	Z [mm]	L2 [mm]	L1 [mm]	L(min) [mm]
HWZ-1200x2235-R2/12/24-A*	2	12/24	600	1200	96	310	2155	390
HWZ-1200x2235-R4/12/24-A*	4	12/24	600	1200	96	310	2155	390
HWZ-680x1390-R2/12	2	12	-	680	96	300	1310	380
HWZ-680x1390-R2/12-STE	2	12	-	680	96	300	1310	380
HWZ-680x2670-R3/12	3	12	-	680	96	590	2590	670
HWZ-680x2670-R3/12-STE	3	12	-	680	96	590	2590	670
HWZ-680x1390-R2/20-DUO	2	20	600	680	47	300	1310	380

Designation	L (max) [mm]	W [mm]	D [mm]	H [mm]	Lift capacity [kg]	Weight [kg]	Part no.	Price [€]
HWZ-1200x2235-R2/12/24-A*	2235	1120	125	1677	240	74	15.02.03.00033	795,-
HWZ-1200x2235-R4/12/24-A*	2235	1120	125	1677	300	130	15.02.03.00034	1180,-
HWZ-680x1390-R2/12	1390	790	125	1677	240	48	15.02.02.00038	615,-
HWZ-680x1390-R2/12-STE	1390	790	125	1677	240	48	15.02.02.00039	645,-
HWZ-680x2670-R3/12	2670	790	125	1677	360	75	15.02.02.00040	1060,-
HWZ-680x2670-R3/12-STE	2670	790	125	1677	360	75	15.02.02.00041	1100,-
HWZ-680x1390-R2/20-DUO	1390	935	125	1640	240	60	15.02.03.00035	755,-

## Drawing



## Parts list

Designation	Quantity						
	15.02.03.00033	15.02.03.00034	15.02.02.00038	15.02.02.00039	15.02.02.00040	15.02.02.00041	15.02.03.00035
Side element	2	-	2	2	3	3	2
Rake, loose	-	2	-	-	-	-	-
Connecting rod	-	2	-	-	-	-	-
Castor, unbraked	2	2	2	2	3	3	2
Castor, braked	2	2	2	2	3	3	2

## ***Delivery condition***

The side elements are pushed together and the levers on the joints are locked.

## ***Assembly***

Release clamping levers of joints, pull side elements apart and re-lock clamping levers of joints.  
Gelenke wieder arretieren.

## ***Handling***

The two middle rakes are adjustable. Procedure:

- Release wing nuts on the rear side of the rakes
- Push rake to desired position
- Fix rake using wing nuts

## ***Maintenance***

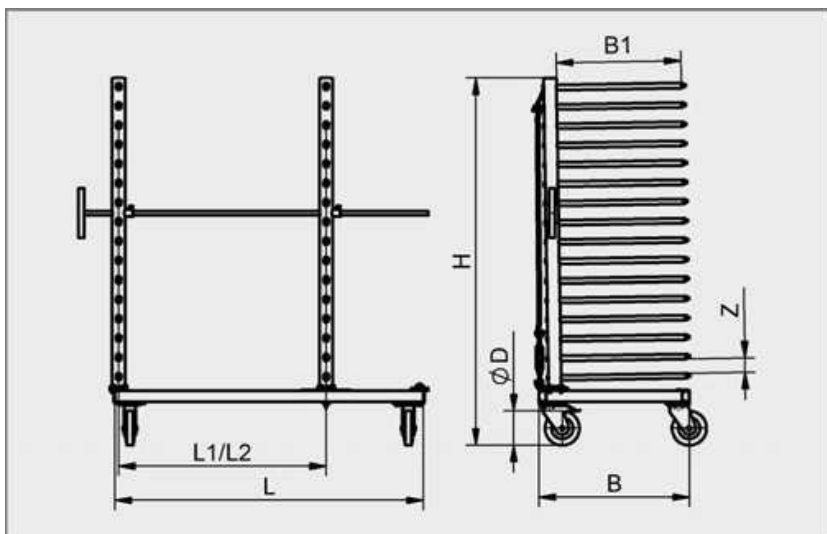
Drying trolleys are maintenance-free.  
The trolley's impellers can be oiled when required.

## Technical data

Designation	Number of rakes	Number Levels	W1 [mm]	Z [mm]	L2 [mm]	L1 [mm]	L [mm]
HWV-580x1480-R2/16	2	16	580	69	200	1200	1480
HWV-580x1480-R4/16	4	16	580	69	200	1200	1480
HWV-680x1480-R2/12	2	12	680	96	200	1200	1480
HWV-775x1500-R2/12	2	12	775	96	200	1200	1500
HWV-910x1500-R2/12	2	12	910	96	200	1200	1500

Designation	W [mm]	H [mm]	D [mm]	Lift capacity [kg]	Weight [kg]	Part no.	Price [€]
HWV-580x1480-R2/16	710	1650	125	260	56	15.01.01.00085	750,-
HWV-580x1480-R4/16	710	1695	160	420	100	15.01.01.00086	1270,-
HWV-680x1480-R2/12	810	1730	160	360	72	15.01.02.00029	805,-
HWV-775x1500-R2/12	925	1800	200	480	99	15.01.03.00028	955,-
HWV-910x1500-R2/12	1060	1800	200	480	106	15.01.04.00043	1000,-

## Drawing



## Parts list

Designation	Quantity				
	15.01.01.00085	15.01.01.00086	15.01.02.00029	15.01.03.00028	15.01.04.00043
Carriage	1	1	1	1	1
Rake, loose	2	4	2	2	2
Pushing rod	1	1	1	1	1
Castor, unbraked	2	2	2	2	2
Castor, braked	2	2	2	2	2

## ***Delivery condition***

Carriage, pushing rod and rake are packaged individually on a pallet.

## ***Assembly***

The rakes must be locked in the desired position on the carriage using the wing nuts and metal plates. The pushing rod must be pushed through the bores on the rakes and locked using the wing nuts.

## ***Handling***

The middle rakes are adjustable. Procedure:

- Release wing nuts on the pushing rod
- Release wing nuts on the carriage
- Push rakes to desired position
- Re-lock rake using wing nuts

## ***Maintenance***

Drying trolleys are maintenance-free.  
The trolley's impellers can be oiled when required.