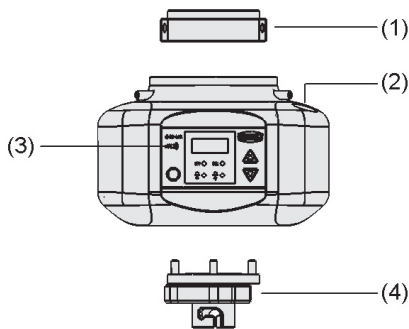


Vacuum Generator ECBPi

Suction rate up to 12 l/min



Vacuum Generator ECBPi



System Design Vacuum Generator ECBPi



Electric vacuum generator ECBPi when handling cardboard boxes

Suitability for Industry Specific Applications

Applications

- Intelligent electrical vacuum generator for handling airtight and slightly porous workpieces
- Integrated interface for controlling and monitoring the handling process
- For use in mobile robotics, fully automated small parts handling and stationary handling tasks

Design

- Flange adapter plate (1) for mechanical connection to all common cobot models
- M12 8-pin plug connection or terminal block as digital interface (2) between the ECBPi and the robot
- NFC interface (3) for conveniently transferring data using a smartphone
- Flange for gripper connection (4)

Our Highlights...

- IO-Link connection for transparent process data
- Condition monitoring to reduce errors and downtime
- NFC interface for data transmission
- Integrated function for automatically adapting the power to the handling process
- Targeted process monitoring, predictive maintenance
- Secures and improves the availability of the system
- Easy, direct access to the device and process data from a smartphone
- Easy parameterization on the device for improved energy efficiency in the process

Vacuum Generator ECBPi

Suction rate up to 12 l/min



Designation Code Vacuum Generator ECBPi

ECBPi	-	24V-DC	-	M12-8
1		2		3

1 – Abbreviated designation

Code	Version
ECBPi	Electrical CobotPump

2 – Voltage

Code	Operating voltage
24V-DC	24V-DC

3 – Electrical connection

Code	Type
M12-8	M12, 8-pin plug
TB-8	Terminal strip

The electrical vacuum generator ECBPi is delivered as a ready-to-connect product.

Available accessories: flange plate, connection cable, connection distributor



Ordering Data Vacuum Generator ECBPi

Type	Part no.
ECBPi 12 24V-DC M12-8	10.03.01.00314
ECBPi 12 24V-DC TB-8	10.03.01.00364



Ordering Data Accessories Vacuum Generator ECBPi

Type		Part no.
Flange plate robot UR, KUKA iiwa	FLAN-PL UR-KUK-1	10.03.01.00313
Flange plate robot YASKAWA Motoman HC10	FLAN-PL YAS-1	10.03.01.00357
Flange plate robot application RETHINK	FLAN-PL RET-1	10.03.01.00358
Flange plate robot RETHINK ClickSmartAdapter	FLAN-PL RET-2	10.03.01.00373
Flange plate robot universal	FLAN-PL ECBPi	10.03.01.00379
Flange plate robot FANUC	FLAN-PL FAN-1	10.03.01.00390
Connection cable, M12 8-pole, M8 8-pole, 0.28 m, PUR, straight	ASK B-M12-8 280 WB-M8-8	21.04.05.00350
Connection distributor 1x M12, 8 pol, 1x M8, 8 pol, 1x M8, 3 pol	ASV ECBPi WS-M8-3 WS-M8-8	21.04.05.00361
Connection distributor 1x M12, 8 pol, 1x M8, 8 pol, 1x M8, 4 pol	ASV ECBPi WS-M8-4 WS-M8-8	21.04.05.00362



Technical Data Vacuum Generator ECBPi

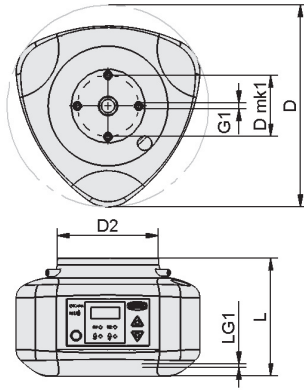
Type	Suction rate (max.) [l/min]	Rated power [W]	Voltage	Rated current [A]	Operating temperature [°C]	Weight [g]
ECBPi 12 24V-DC M12-8	12	13	24V - DC V	0.6	5 ... 45	775
ECBPi 12 24V-DC TB-8	12	13	24V - DC V	0.6	5 ... 45	775

Vacuum Generator ECBPi

Suction rate up to 12 l/min



Design Data Vacuum Generator ECBPi



ECBPi

Type	D [mm]	D mk1 [mm]	D2 [mm]	G1	L [mm]	LG1 [mm]
ECBPi 12 24V-DC M12-8	151.5	46	76	M4-F	88.6	6
ECBPi 12 24V-DC TB-8	151.5	46	76	M4-F	88.6	6

Schmalz –
The Company

Vacuum
Suction Cups

Special
Grippers

Gripping
Systems

Clamping
Systems

Mounting
Elements

Vacuum
Generators

Valve
Technology

Switches and
Monitoring

Filters and
Connections

Services

Contact

Glossary

Index of
Products

