

# Protection Covers PC

Diameter (Ø) 125 mm to 400 mm



Protection Covers PC

## Design

- Robust and tear-resistant material, resistant to external environmental influences
- Slid over suction cups / suction plates and fastened with the integrated elastic band
- Diameters of the covers are designed to match the corresponding diameter ranges of the suction plates and suction cups

## Suitability for Industry Specific Applications

### Applications

- High quality protection cover for suction plates during storage or when not in use
- Protection against pollution (dust or moisture) and aging (by ozone or UV impact) in outdoor areas
- Use with suction plates and suction cups such as SPU and SGF
- Use with manual glass lifting devices indoors and outdoors during storage and transport

### Our Highlights...

- High quality protection cover for suction plates
- Integrated elastic band
- Large range of diameters

### Your Benefits...

- Reduced risk of contamination and damage of the sealing lip during storage
- Fast and easy installation on suction plates and suction cups
- Installation on flat suction cups, bellows suction cups and suction plates



## Designation Code Protection Covers PC

PC	–	125
1		2

1 – Abbreviated designation

Code	Version
PC	PC

2 – Diameter

Code	Diameter in mm
125...400	ø 125 to 400

Protection cover PC is delivered with the desired diameter.

Schmalz – The Company

Vacuum Suction Cups

Special Grippers

Gripping Systems

Clamping Systems

Mounting Elements

Vacuum Generators

Valve Technology

Switches and Monitoring

Filters and Connections

Services

Contact

Glossary

Index of Products



# Protection Covers PC

Diameter (Ø) 125 mm to 400 mm

Schmalz – The Company  
 Vacuum Suction Cups  
 Special Grippers  
 Gripping Systems  
 Clamping Systems  
 Mounting Elements  
 Vacuum Generators  
 Valve Technology  
 Switches and Monitoring  
 Filters and Connections  
 Services  
 Contact  
 Glossary  
 Index of Products

## Ordering Data Protection Covers PC

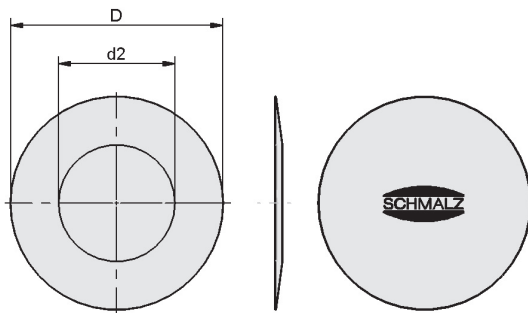
Type	Part no.
PC 125	10.01.01.13086
PC 150	10.01.01.13087
PC 175	10.01.01.13088
PC 200	10.01.01.13089
PC 250	10.01.01.13090
PC 300	10.01.01.13091
PC 350	10.01.01.13092
PC 400	10.01.01.13093

## Technical Data Protection Covers PC

Type*	Clamping range [mm]
PC 125	110.0 ... 135.0
PC 150	135.0 ... 165.0
PC 175	165.0 ... 190.0
PC 200	190.0 ... 220.0
PC 250	220.0 ... 275.0
PC 300	275.0 ... 325.0
PC 350	325.0 ... 375.0
PC 400	375.0 ... 425.0

\*Suction cup protection covers PC are designed for the use with suction cups and suction plates that are out of use. They cannot be used during handling.

## Design Data Protection Covers PC



PC 125 - 400

Type	D [mm]	d2 [mm]
PC 125	125	65
PC 150	150	75
PC 175	175	90
PC 200	200	100
PC 250	250	125
PC 300	300	150
PC 350	350	175
PC 400	400	200