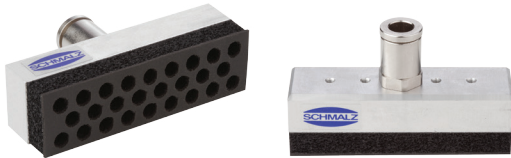
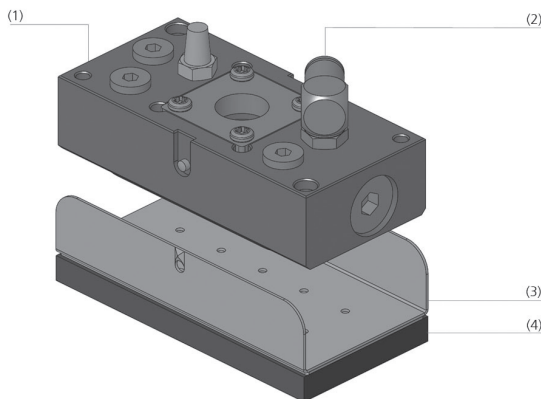


Area Gripping Systems FM-SW

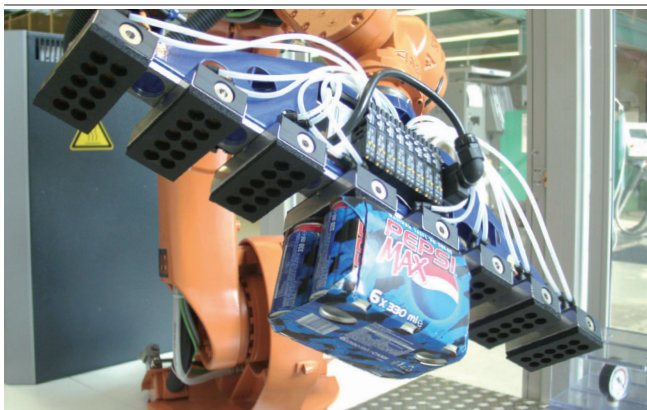
Suction area (LxW) from 76 x 22 mm to 120 x 60 mm



Area Gripping Systems FM-SW



System Design Area Gripping Systems FM-SW



Area Gripping system FM-SW handling beverage packaging

Suitability for Industry Specific Applications

Applications

- For use in packaging processes for handling a wide range of products, e.g. filling boxes
- Ideal for integration in packaging machines (e.g. case packers) due to its compact dimensions and low weight
- For use on vacuum suction spiders for handling bending workpieces such as metal sheets and veneer
- FM type with connection for external vacuum generation

Design

- Plastic main body (1) with connections (2) for the external vacuum generator hosing
- Plug-in suction plate (3) with integrated flow restrictors
- Sealing element (4): sealing foam or suction cups
- Optional vacuum sensor and external blow off function

Our Highlights...

- External vacuum generator
- Choice of suction cup or sealing foam as the sealing element
- Integrated flow restrictors
- Base section made of plastic

Your Benefits...

- High flow rates and vacuum power up to -0.8 bar; low operating costs
- Gripper optimally adapted to the application
- Minimal leakage losses when cells are not in use
- High stiffness at a low weight

Area Gripping Systems FM-SW

Suction area (LxW) from 76 x 22 mm to 120 x 60 mm

Designation Code Area Gripping Systems FM-SW

FM 1	-	SW 2	-	120x60 3	-	20 4	-	14xFSG12 5	-	SEA 6
---------	---	---------	---	-------------	---	---------	---	---------------	---	----------

1 - Abbreviated designation

Code	Version
FM	External vacuum generator

2 - Valve technology

Code	Type
SW	Flow restrictor

3 - LxW

Code	LxW in mm
76x22	76x22
120x60	120x60

4 - Hole spacing

Code	Spacing in mm
20	20
20x20	20x20
8x12	8x12

5 - Sealing element

Code	Number, height/diameter in mm
N10	Sealing foam (height = 10)
14xFSG-12	14 suction cups (ø 12)

6 - Blow off function

Code	Version
SEA	Integrated blow off piston
-	No blow off piston

Gripping System FM-SW is delivered as a ready-to-connect product.

Available spare parts: sealing plate, suction cup FG

Ordering Data Area Gripping Systems FM-SW

Type	Part no.
FM-SW 76x22 8x12 N10	10.01.11.00851
FM-SW 120x60 20x20 N10	10.01.11.01823

Type	Part no.
FM-SG 120x60 20 14xFSG12	10.01.11.02010

Ordering Data Spare Parts Area Gripping Systems FM-SW

Type	Spare Parts	Part no.
FM-SW 76x22 8x12 N10	Sealing plate	DI-PL 76x22 N10 FLGR
FM-SW 120x60 20x20 N10	Sealing plate (FX/FM)	DI-PL 120x60 N10

Type	Spare Parts	Part no.
FM-SG 120x60 20 14xFSG12	Bellows suction cup (round)	FG 12 NK-45 N016

Technical Data Area Gripping Systems FM-SW

Type	Number of suction cells	Holding force at 60 % vacuum [N]*	Weight [kg]
FM-SW 76x22 8x12 N10	26	40	0.1
FM-SW 120x60 20x20 N10	10	98	0.5
FM-SG 120x60 20 14xFSG12	14	13	0.8

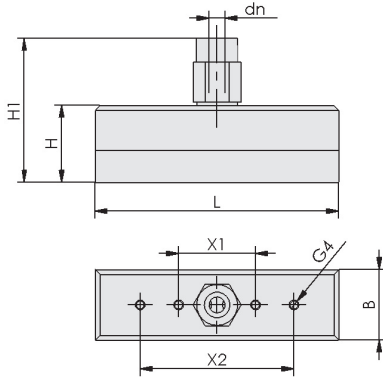
*With the gripper fully covered by a rigid workpiece

Area Gripping Systems FM-SW

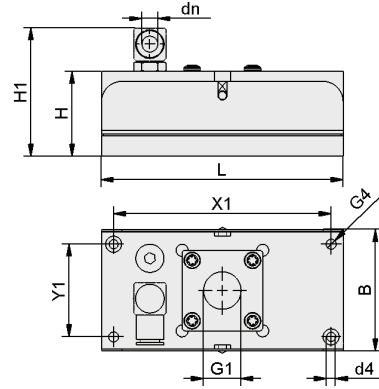
Suction area (LxW) from 76 x 22 mm to 120 x 60 mm



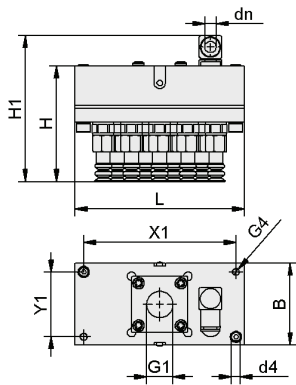
Design Data Area Gripping Systems FM-SW



FM-SW 76x22 N10



FM-SW 120x60 N10



FM-SW 120x60 20 FSG12

Type	B [mm]	d4 [mm]	dn [mm]*	G1	G4	H [mm]	H1 [mm]	L [mm]	X1 [mm]	X2 [mm]	Y1 [mm]
FM-SW 76x22 8x12 N10	22	-	8	-	M3x0.5-F	24	45	76	24	48	-
FM-SW 120x60 20x20 N10	60	4.5	8	G1/2"-F	M6-F	42	64	120	108	-	46
FM-SG 120x60 20 14xFSG12	60	4.5	-	G1/2"-F	M6-F	82	104	120	108	-	46

*Requires an 8/6 mm compressed air hose

Schmalz –
The Company

Vacuum
Suction Cups

Special
Grippers

Gripping
Systems

Clamping
Systems

Mounting
Elements

Vacuum
Generators

Valve
Technology

Switches and
Monitoring

Filters and
Connections

Services

Contact

Glossary

Index of
Products

