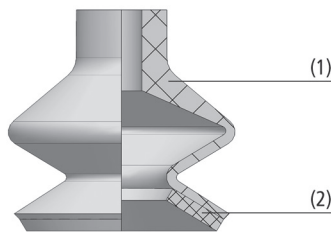


Sealing Rings DR-MOS SI

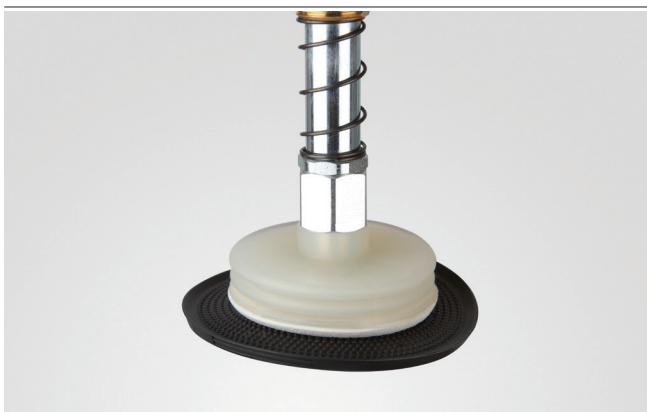
Diameter (Ø) from 20 mm to 88 mm



Sealing Rings DR-MOS SI



System Design Sealing Rings DR-MOS SI



Standard suction cup with sealing ring DR-MOS SI being used for handling structured plastic parts

Suitability for Industry Specific Applications

Applications

- Sealing ring made from special foam for an optimum sealing on structured surfaces
- Used on structured surfaces (studded, rippled or rough) where suction cups hardly seal or cannot seal at all
- Handling of packaging materials and flat or uneven workpieces with structured surfaces such as foil packed products or plastic components
- Can be used as an accessory for suction cup series FG and FGA made from silicone

Design

- Sealing ring of high-quality silicone foam (2) for gluing onto the silicone suction cup (1)
- Available in a variety of diameters and thicknesses, suitable for standard suction cup series FGA (1.5 folds) and FG (2.5 folds)
- Material connection with silicone adhesive

Our Highlights...

- Foam rings for gluing onto bellows suction cup
- Available in a variety of diameters and thicknesses
- Silicone adhesive available as accessory

Your Benefits...

- Optimal sealing on structured surfaces
- Wide range of application possibilities for standard suction cup series FGA (1.5 folds) and FG (2.5 folds)
- Secure mounting and connection to the suction cup



Sealing Rings DR-MOS SI

Diameter (Ø) from 20 mm to 88 mm

Designation Code Sealing Rings DR-MOS SI



1 – Abbreviated designation

Code	Version
DR	DR

2 – Diameter

Code	Diameter in mm
20/10...88/64	ø 20/10 to 88/64 (outside/inside)

3 – Height

Code	Height in mm
x2	2
x5	5

4 – Material

Code	Material
MOS SI-15	Foam rubber and silicone

Sealing profile DR-MOS SI is delivered with the desired diameter.

Available accessories: silicone adhesive

Ordering Data Sealing Rings DR-MOS SI

Type	Part no.
DR 20/10x2 MOS SI-15	10.01.06.02618
DR 22.5/13x2 MOS SI-15	10.01.06.02614
DR 32/19x2 MOS SI-15	10.01.06.02615
DR 42/20x5 MOS SI-15	10.01.06.02616
DR 52/33x5 MOS SI-15	10.01.06.02548
DR 62/42x5 MOS SI-15	10.01.06.02617
DR 78/54x5 MOS SI-15	10.01.06.02619
DR 88/64x5 MOS SI-15	10.01.06.02620

Ordering Data Accessories Sealing Rings DR-MOS SI

Type	Part no.
Silicone adhesive	27.03.04.00014

Technical Data Sealing Rings DR-MOS SI

Type	Material type	Temperature resistance [°C]	Color
DR 20/10x2 MOS SI-15	Foam rubber	180	beige
DR 22.5/13x2 MOS SI-15	Foam rubber	180	beige
DR 32/19x2 MOS SI-15	Foam rubber	180	beige
DR 42/20x5 MOS SI-15	Foam rubber	180	beige
DR 52/33x5 MOS SI-15	Foam rubber	180	beige
DR 62/42x5 MOS SI-15	Foam rubber	180	beige
DR 78/54x5 MOS SI-15	Foam rubber	180	beige
DR 88/64x5 MOS SI-15	Foam rubber	180	beige

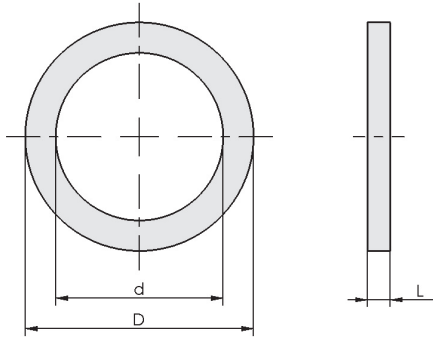
Schmalz – The Company
 Vacuum Suction Cups
 Special Grippers
 Gripping Systems
 Clamping Systems
 Mounting Elements
 Vacuum Generators
 Valve Technology
 Switches and Monitoring
 Filters and Connections
 Services
 Contact
 Glossary
 Index of Products

Sealing Rings DR-MOS SI

Diameter (Ø) from 20 mm to 88 mm



Design Data Sealing Rings DR-MOS SI



DR-MOS SI

Type	d [mm]	D [mm]	L [mm]
DR 20/10x2 MOS SI-15	10	20.0	2
DR 22.5/13x2 MOS SI-15	13	22.5	2
DR 32/19x2 MOS SI-15	19	32.0	2
DR 42/20x5 MOS SI-15	20	42.0	5
DR 52/33x5 MOS SI-15	33	52.0	5
DR 62/42x5 MOS SI-15	42	62.0	5
DR 78/54x5 MOS SI-15	54	78.0	5
DR 88/64x5 MOS SI-15	64	88.0	5