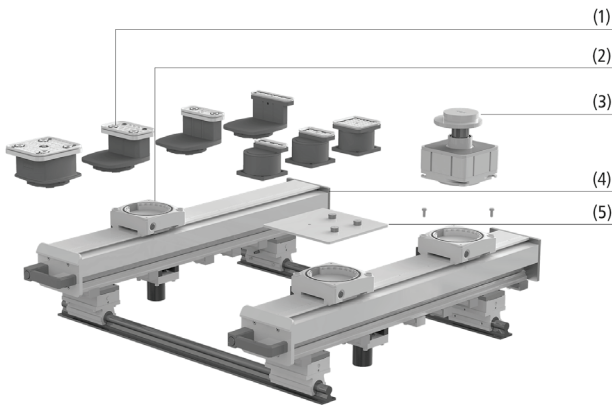


Clamping Equipment for Biesse Consoles*

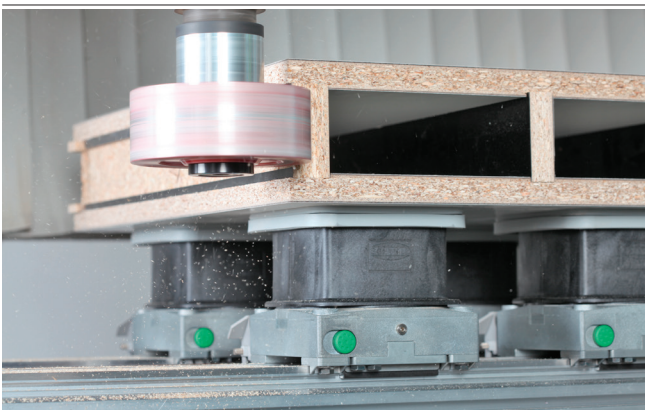
Height 29 mm, 48 mm and 74 mm



Clamping Equipment for Biesse Consoles



System Design Clamping Equipment for Biesse Consoles



Vacuum block VCBL-B for gripping particle boards

Suitability for Industry Specific Applications

Applications

- Hose-free vacuum clamping system from Schmalz for console tables from Biesse (single-circuit system)
- Fully compatible with the OEM vacuum blocks
- The vacuum blocks can be inserted in any direction in 15° increments in the standard mountings
- Clamping straps on the vacuum block ring and magnets ensure secure fixation in the vacuum block mounting
- Heights of 29 mm and 48 mm (for 3 and 4-axis machines) and 74 mm (for 5-axis machines)
- An integrated touch valve (TV) automatically activates the vacuum when the workpiece is applied – any unused vacuum blocks can remain in the mounting

Design

- Vacuum block VCBL-B (1) in various geometries
- Biesse standard vacuum block mounting (2)
- Mechanical clamp (3)
- Console of CNC machining centers produced by the Italian manufacturer Biesse (4)
- Adapter-Plate ISAP-B with suction cups (5)

Our Highlights...

- Very high holding forces
- Fast and easy positioning (rotatable in 15° steps in the suction cup mounting)
- High dimensional accuracy
- Replacement suction plates are individually exchangeable

Your Benefits...

- Extremely high resistance to lateral forces
- Shortening of down times
- Enables highest precision during machining process
- Quick repair of damaged suction plates and reduced spare parts costs

*Biesse is a registered and protected trademark. The articles listed here are products of J. Schmalz GmbH that have been designed to fit CNC machining centers from Biesse.

