

Ejectors with Active Blow Off SEAC

Suction rate 35 l/min



Suitability for Industry Specific Applications

Applications

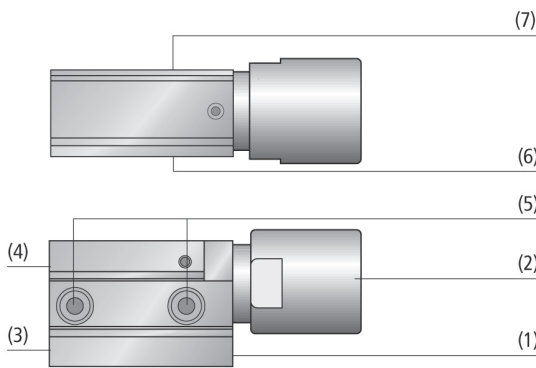
- Ejector for many different applications with active blow off to realize shortest cycle times, e.g. in sheet-metal handling, the automotive industry, in packaging machines and robot technology



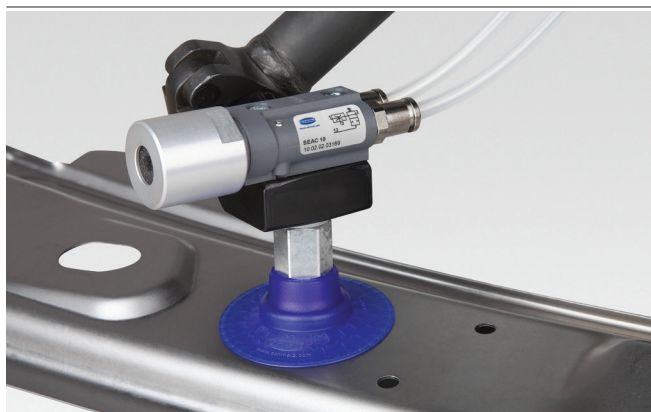
Ejectors with Active Blow Off SEAC

Design

- Main body (1) made of plastic; smallest possible dimensions and low weight
- Silencer (2) made of anodized aluminum
- Compressed air connection for blow off (3) and for suction (4)
- Two holes (5) for connecting to tooling; vacuum connection (6)
- Two M4 mounting screws included in delivery
- Optional with vacuum switch (7) with fixed switching point at 600 mbar, 3 m connection cable and protective cover with pull-relief (SEAC VE-SH)



System Design Ejectors with Active Blow Off SEAC



Decentral vacuum generation by ejector SEAC directly at the suction cup

Our Highlights...

- Short gripping and blow off times
- Main body made of plastic
- Suitable for holder system HTS
- With silencer
- Optional available with vacuum switch

Your Benefits...

- Very short cycle times in automated operations
- Minimum size and low weight particularly suitable for highly dynamic systems
- Direct mounting of suction cup and connector
- Reduced noise level
- Part present signal for optimization of processes



- Schmalz – The Company
- Vacuum Suction Cups
- Special Grippers
- Gripping Systems
- Clamping Systems
- Mounting Elements
- Vacuum Generators
- Valve Technology
- Switches and Monitoring
- Filters and Connections
- Services
- Contact
- Glossary
- Index of Products

Ejectors with Active Blow Off SEAC

Suction rate 35 l/min



Designation Code Ejectors with Active Blow Off SEAC

SEAC	-	10	-	VE-SH
1		2		3

1 – Abbreviated designation

Code	Version
SEAC	SEAC

2 – Nozzle size

Code	Diameter in mm
10	ø 1

3 – System monitoring

Code	Type
VE-SH	Vacuum switch with cover

Ejector SEAC is delivered as a ready-to-connect product.

Accessoires: holder (ejector adapter)



Ordering Data Ejectors with Active Blow Off SEAC

Type	Part no.
SEAC 10	10.02.02.03875
SEAC 10 VE-SH	10.02.02.03876



Ordering Data Accessories Ejectors with Active Blow Off SEAC

Type	Part no.
Ejector adapter ADP-EJ 45.5x21x44-G1/4-IG SEAC L	10.02.02.03483
Ejector adapter ADP-EJ 45.5x21x44-G1/4-IG SEAC S	10.02.02.03484
Ejector adapter ADP-EJ 38x20x11-G1/4-IG SEAC	10.02.02.04067
Ejector adapter ADP-EJ 38x20x11-G1/8-IG SEAC	10.02.02.04068



Technical Data Ejectors with Active Blow Off SEAC

Type	Nozzle diameter [mm]	Degree of evacuation [%]	Suction rate (max.) [l/min]	Suction rate (max.) [m³/h]	Air consumption suction [l/min]*	Max. air consumption blow off [l/min]**	Pressure range (operating pressure) [bar]	Weight [g]
SEAC 10	1.0	85	35	2.1	52	60	4.0 ... 6.0	62
SEAC 10 VE-SH	1.0	85	35	2.1	52	60	4.0 ... 6.0	157

*At optimal operating pressure (4.5 bar)

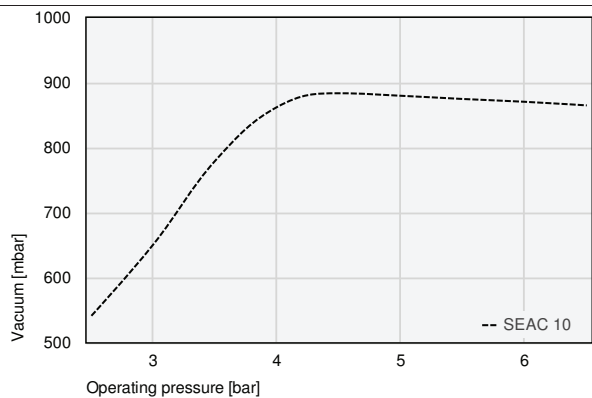
**Additional air consumption during blow off

Ejectors with Active Blow Off SEAC

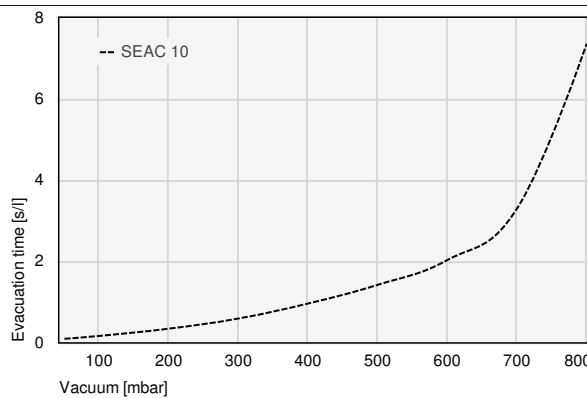
Suction rate 35 l/min



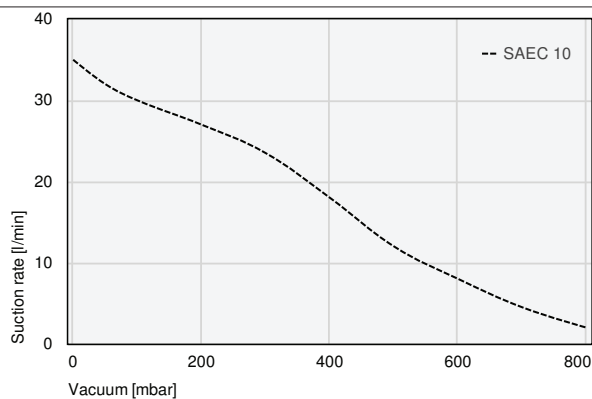
Performance Data Ejectors with Active Blow Off SEAC



Achievable vacuum at various operating pressures



Evacuation times for various vacuum ranges [s/l]



Suction capacity at various degrees of evacuation [l/min]



Evacuation times for various vacuum ranges [s/l]

	50	100	200	300	400	500	600	700	800
SEAC 10	0.09	0.16	0.34	0.59	0.96	1.42	2.03	3.30	7.36



Suction capacity at various degrees of evacuation [l/min]

	0	50	100	200	300	400	500	600	700	800
SAEC 10	35.0	32.0	30.0	27.0	23.5	18.0	12.0	8.2	4.5	2.0

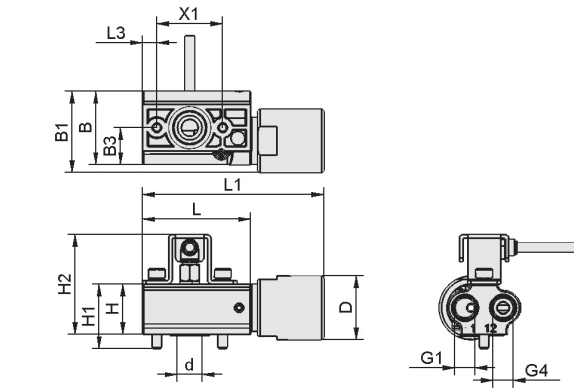
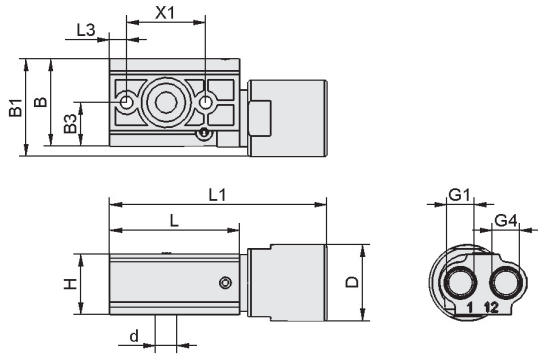


Ejectors with Active Blow Off SEAC

Suction rate 35 l/min



Design Data Ejectors with Active Blow Off SEAC



SEAC

SEAC VE-SH

Type	B [mm]	B1 [mm]	B3 [mm]	d [mm]	D [mm]	G1	G4	H [mm]	H1 [mm]	H2 [mm]	L [mm]	L1 [mm]	L3 [mm]	X1 [mm]
SEAC 10	31	34.6	15.5	7.5	27	G1/8"-F	G1/8"-F	21.5	-	-	46	77	6	28
SEAC 10 VE-SH	31	34.6	15.5	7.5	27	G1/8"-F	G1/8"-F	21.5	27.5	42.5	46	77	6	28

Schmalz –
The Company

Vacuum
Suction Cups

Special
Grippers

Gripping
Systems

Clamping
Systems

Mounting
Elements

Vacuum
Generators

Valve
Technology

Switches and
Monitoring

Filters and
Connections

Services

Contact

Glossary

Index of
Products

