

# Holder for Suction Cups and Spring Plungers

## Bulkhead Connectors SVS-GE



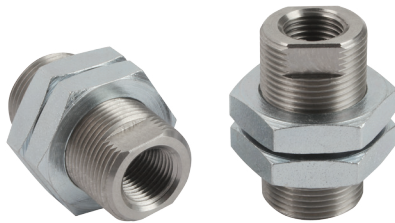
Suction cup connection G1/8" and G1/4"



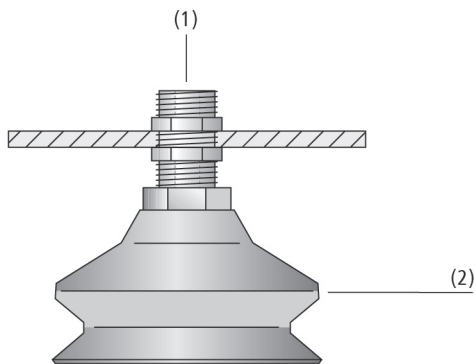
### Suitability for Industry Specific Applications

#### Applications

- Bulkhead connector for mounting of suction cups
- Adaptation of hose connections



Bulkhead Connectors SVS-GE



System Design Bulkhead Connectors SVS-GE



Mounting example bulkhead connectors SVS-GE

#### Design

- Stainless steel sleeve with male and female threads
- Two locking (galvanized) nuts included
- Flats for spanner on male thread
- Vacuum connection (1) by plug-in union (not included in delivery), see chapter "Filters and Connections"
- Suitable suction cups (2) can be found in section Vacuum Suction Cups

#### Our Highlights...

- Bulkhead fitting with G1/8"-IG and G1/4"-IG threads
- Male thread over the entire length
- Locking nuts included
- Stainless steel

#### Your Benefits...

- All suction cups and nipples with G1/8"-AG and G1/4"-AG threads can be screwed in
- Permits precise adjustment of the suction-cup position
- No further mounting elements needed
- No corrosion, high stability

Schmalz –  
The Company

Vacuum  
Suction Cups

Special  
Grippers

Gripping  
Systems

Clamping  
Systems

Mounting  
Elements

Vacuum  
Generators

Valve  
Technology

Switches and  
Monitoring

Filters and  
Connections

Services

Contact

Glossary

Index of  
Products



# Holder for Suction Cups and Spring Plungers

## Bulkhead Connectors SVS-GE



Suction cup connection G1/8" and G1/4"

### Designation Code Bulkhead Connectors SVS-GE

<b>SVS-GE</b>	-	<b>M16x1-AG</b>	-	<b>G1/8-IG</b>	-	<b>30</b>
<b>1</b>		<b>2</b>		<b>3</b>		<b>4</b>

#### 1 - Abbreviated designation

Code	Version
SVS-GE	SVS-GE

#### 2 - Male thread

Code	Thread
M16x1-AG	M16x1-AG (AG = male (M))
M20x1.5-AG	M20x1.5-AG

#### 3 - Connection

Code	Connection
G1/8-IG	G1/8-IG (IG = female (F))
G1/4-IG	G1/4-IG

#### 4 - Length

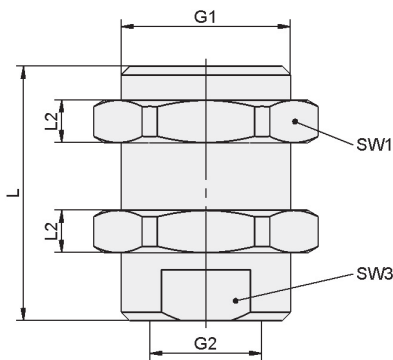
Code	Length in mm
30	30

Bulkhead connector SVS-GE is delivered as a ready-to-connect product, including two locking nuts.

### Ordering Data Bulkhead Connectors SVS-GE

Type	Part no.
SVS-GE M16x1-AG G1/8-IG 30	10.08.03.00181
SVS-GE M20x1.5-AG G1/4-IG 30	10.08.03.00180

### Design Data Bulkhead Connectors SVS-GE



SVS-GE

Type	G1	G2	L	L2	SW1	SW3
			[mm]	[mm]	[mm]	[mm]
SVS-GE M16x1-AG G1/8-IG 30	M16x1-M	G1/8"-F	30	5	22	13
SVS-GE M20x1.5-AG G1/4-IG 30	M20x1.5-M	G1/4"-F	30	5	24	17

Schmalz - The Company  
Vacuum Suction Cups  
Special Grippers  
Gripping Systems  
Clamping Systems  
Mounting Elements  
Vacuum Generators  
Valve Technology  
Switches and Monitoring  
Filters and Connections  
Services  
Contact  
Glossary  
Index of Products