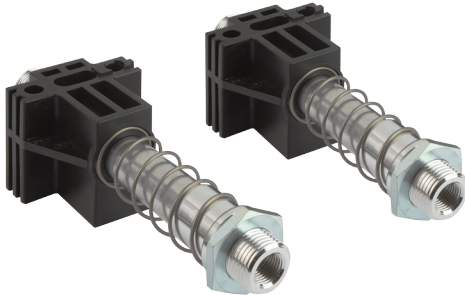
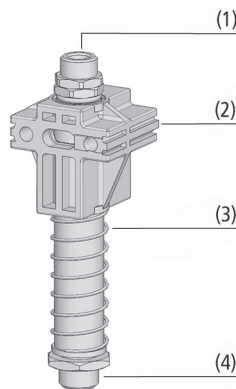


Spring Plungers FSTF

Stroke 50 mm



Spring Plungers FSTF



System Design Spring Plungers FSTF



Mounting example Spring Plungers FSTF

Suitability for Industry Specific Applications

Applications

- Spring plunger with integrated mounting facilities for handling of workpieces with differing heights
- Handling of sheets and planks of wood in the furniture, chipboard, door and flooring industries
- Handling tasks in dusty surroundings

Design

- Plastic mounting block (2) with integrated guide for plunger rod (no additional sliding bearing)
- Connection thread for suction cup (4)
- Connection thread for vacuum supply (1)
- Lower damping spring (3)
- Plunger rod made of high-strength aluminum alloy, with integrated anti-blocking device to protect against spring breakage
- Can be mounted with the mounting kit "Standard" or "Comfort" on sectional beams of aluminum

Our Highlights...

- Variable mounting facility
- Integrated mounting facilities
- Guide and mounting block made of high quality, injection molded plastic

Your Benefits...

- Individual, flexible and quick adaptation to the intended application
- Can be adapted for use with all common aluminum sectional beam systems
- Price and weight optimized; extremely robust and unaffected by dust

Schmalz – The Company

Vacuum Suction Cups

Special Grippers

Gripping Systems

Clamping Systems

Mounting Elements

Vacuum Generators

Valve Technology

Switches and Monitoring

Filters and Connections

Services

Contact

Glossary

Index of Products



Spring Plungers FSTF

Stroke 50 mm



Designation Code Spring Plungers FSTF

FSTF	–	G1/2-AG	–	50	–	VG
1		2		3		4

1 – Abbreviated designation

Code	Version
FSTF	FSTF

2 – Suction cup connection

Code	Connection
G1/2-AG	G1/2-AG (AG = male (M))

3 – Plunger stroke

Code	Plunger stroke in mm
50	50

4 – Product addition

Code	Type
VG	With anti-rotation guard

Spring plunger FSTF is delivered as a ready-to-connect product.

Available accessories: mounting set



Ordering Data Spring Plungers FSTF

Type*	Part no.
FSTF G1/2-AG 50	10.01.02.01012
FSTF G1/2-AG 50 VG	10.01.02.01013

*VG = Version with anti-rotation guard for repeatably accurate positioning of suction cups



Ordering Data Accessories Spring Plungers FSTF

Type*	Part no.**
Mounting set	SET FSTF 10.01.02.01030
Mounting set	SET FSTF COM 10.01.02.01031

*Standard: consisting of two screws ISKT M8x60, 1x guide block with 2x M8, 2x U-washers

**Comfort (COM): consisting of one release handle, one screw ISKT M8x60, 1x guide block with 2x M8, 2x U-washers



Technical Data Spring Plungers FSTF

Type	Spring rate [N/mm]	Spring pretension [N/mm]	Spring force, center [N]*	Vertical load [N]**	Horizontal load [N]***	Weight [g]	Operating temperature [°C]
FSTF G1/2-AG 50	0.567	17.6	31.75	2,500	800	246	0 ... 50
FSTF G1/2-AG 50 VG	0.567	17.6	31.75	2,500	800	250	0 ... 50

*Referred to 50 % of operating stroke

**Maximum static loading

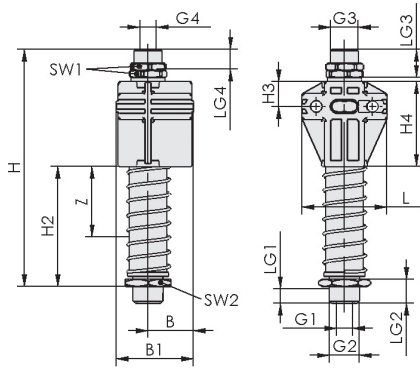
***The specification of the horizontal load refers to the lower edge of the plunger with extended spring. It is a maximum static stress and it impairs the spring compression and extension in horizontal position.

Spring Plungers FSTF

Stroke 50 mm



Design Data Spring Plungers FSTF



FSTF

Type	B [mm]	B1 [mm]	G1	G2	G3	G4	H [mm]	H2 [mm]	H3 [mm]
FSTF G1/2-AG 50	32.3	54.6	G1/4"-F	G1/2"-M	M20-M	G1/4"-F	168	85	17.5
FSTF G1/2-AG 50 VG	32.3	54.6	G1/4"-F	G1/2"-M	M20-M	G1/4"-F	168	85	17.5

Type	H4 [mm]	L [mm]	LG1 [mm]	LG2 [mm]	LG3 [mm]	LG4 [mm]	SW1 [mm]	SW2 [mm]	Z (Stroke) [mm]
FSTF G1/2-AG 50	60	60	10	17	20	10	24	32	50
FSTF G1/2-AG 50 VG	60	60	10	17	20	10	24	32	50

Schmalz – The Company
Vacuum Suction Cups
Special Grippers
Gripping Systems
Clamping Systems
Mounting Elements
Vacuum Generators
Valve Technology
Switches and Monitoring
Filters and Connections
Services
Contact
Glossary
Index of Products

