

# Vacuum Cup Filters VFT

Rated flow from 45 l/min to 770 l/min



Vacuum Cup Filters VFT

## Design

- Vacuum cup filter with filter cup made of clear nylon
- Filter cartridge made of polyethylene (pore size 80 µm) or stainless steel (pore size 100 µm)
- Stainless steel cartridge can be cleaned and reused several times

## Suitability for Industry Specific Applications

### Applications

- Vacuum cup filter for protection of easily damaged vacuum generators (such as pumps and blowers) by filtering the incoming air
- Filtering of vacuum and compressed air at pressures up to 7 bar
- Filtering light to medium contaminated air with pore size 80 µm
- Filtering heavy contaminated air with pore size 100 µm

### Our Highlights...

- Wide range of sizes
- Filter elements with very good separation
- Filter pore sizes 80 and 100 µm
- Filter elements made of stainless steel (100 µm) and polyethylene (80 µm)

### Your Benefits...

- Suitable filter for all vacuum generators
- Optimum protection of vacuum generators against dust and dirt
- Ideal for use as pre-filters and fine filters for air with varying degrees of contamination
- Long-life filter elements which can be cleaned and reused



## Designation Code Vacuum Cup Filters VFT

VFT	-	G1/8-IG	-	80
1		2		3

### 1 - Abbreviated designation

Code	Version
VFT	VFT

### 2 - Connection

Code	Connection
G1/8-IG	G1/8-IG (IG = female (F))
G1/4-IG	G1/4-IG
G3/8-IG	G3/8-IG
G1/2-IG	G1/2-IG
G3/4-IG	G3/4-IG

### 3 - Filter fineness

Code	Filter fineness in µm
80...100	80 and 100

Vacuum filter VFT is delivered as a ready-to-connect product.

Available spare parts: filter cartridge (filter insert)  
Available accessories: filter holder



Schmalz – The Company  
Vacuum Suction Cups  
Special Grippers  
Gripping Systems  
Clamping Systems  
Mounting Elements  
Vacuum Generators  
Valve Technology  
Switches and Monitoring  
Filters and Connections  
Services  
Contact  
Glossary  
Index of Products

# Vacuum Cup Filters VFT

Rated flow from 45 l/min to 770 l/min



## Ordering Data Vacuum Cup Filters VFT

Type	Part no.
VFT G1/8-IG 80	10.07.01.00116
VFT G1/8-IG 100	10.07.01.00117
VFT G1/4-IG 80	10.07.01.00119
VFT G1/4-IG 100	10.07.01.00120
VFT G3/8-IG 80	10.07.01.00122
VFT G3/8-IG 100	10.07.01.00123
VFT G1/2-IG 80	10.07.01.00125
VFT G1/2-IG 100	10.07.01.00126
VFT G3/4-IG 80	10.07.01.00128
VFT G3/4-IG 100	10.07.01.00129



## Ordering Data Spare Parts Vacuum Cup Filters VFT

Type	Spare Parts	Part no.
VFT G1/8-IG 80	Filter insert (round)    FILT-EINS 80 25x37 PE VFT-1/8-1/4	10.07.01.00141
VFT G1/8-IG 100	Filter insert (round)    FILT-EINS 100 25x37 A2 VFT-1/8+1/4	10.07.01.00132
VFT G1/4-IG 80	Filter insert (round)    FILT-EINS 80 25x37 PE VFT-1/8-1/4	10.07.01.00141
VFT G1/4-IG 100	Filter insert (round)    FILT-EINS 100 25x37 A2 VFT-1/8+1/4	10.07.01.00132
VFT G3/8-IG 80	Filter insert (round)    FILT-EINS 80 25x71 PE VFT-3/8-1/2	10.07.01.00143
VFT G3/8-IG 100	Filter insert (round)    FILT-EINS 100 25x71 A2 VFT-3/8+1/2	10.07.01.00135
VFT G1/2-IG 80	Filter insert (round)    FILT-EINS 80 25x71 PE VFT-3/8-1/2	10.07.01.00143
VFT G1/2-IG 100	Filter insert (round)    FILT-EINS 100 25x71 A2 VFT-3/8+1/2	10.07.01.00135
VFT G3/4-IG 80	Filter insert (round)    FILT-EINS 80 39x89 PE VFT-3/4	10.07.01.00145
VFT G3/4-IG 100	Filter insert (round)    FILT-EINS 100 39x89 A2 VFT-3/4	10.07.01.00138



## Ordering Data Accessories Vacuum Cup Filters VFT

Type	Accessories	Part no.
VFT G1/8-IG 80	Filter holder    HTR-FIL 2S WI VFT1/8-1/2	10.07.01.00228
VFT G1/8-IG 100	Filter holder    HTR-FIL 2S WI VFT1/8-1/2	10.07.01.00228
VFT G1/4-IG 80	Filter holder    HTR-FIL 2S WI VFT1/8-1/2	10.07.01.00228
VFT G1/4-IG 100	Filter holder    HTR-FIL 2S WI VFT1/8-1/2	10.07.01.00228
VFT G3/8-IG 80	Filter holder    HTR-FIL 2S WI VFT1/8-1/2	10.07.01.00228
VFT G3/8-IG 100	Filter holder    HTR-FIL 2S WI VFT1/8-1/2	10.07.01.00228
VFT G1/2-IG 80	Filter holder    HTR-FIL 2S WI VFT1/8-1/2	10.07.01.00228
VFT G1/2-IG 100	Filter holder    HTR-FIL 2S WI VFT1/8-1/2	10.07.01.00228
VFT G3/4-IG 80	Filter holder    HTR-FIL 2S WI VFT3/4	10.07.01.00229
VFT G3/4-IG 100	Filter holder    HTR-FIL 2S WI VFT3/4	10.07.01.00229

# Vacuum Cup Filters VFT

Rated flow from 45 l/min to 770 l/min

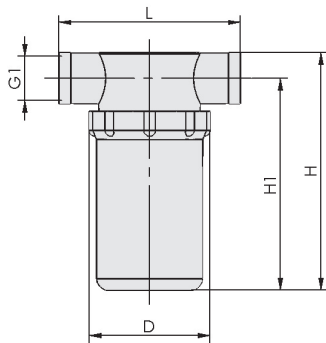


## Technical Data Vacuum Cup Filters VFT

Type	Filter pore size [μm]	Nominal flow rate [l/min]	Nominal flow rate [m³/h]	Max. vacuum [mbar]	Overpressure (max.) at 25° C [bar]	Overpressure (max.) at 50° C [bar]	Weight [g]
VFT G1/8-IG 80	80	45	2.7	-990	7	5	49
VFT G1/8-IG 100	100	50	3.0	-990	7	5	49
VFT G1/4-IG 80	80	110	6.6	-990	7	5	47
VFT G1/4-IG 100	100	140	8.4	-990	7	5	47
VFT G3/8-IG 80	80	245	14.7	-990	7	5	79
VFT G3/8-IG 100	100	290	17.4	-990	7	5	79
VFT G1/2-IG 80	80	300	18.0	-990	7	5	76
VFT G1/2-IG 100	100	320	19.2	-990	7	5	76
VFT G3/4-IG 80	80	600	36.0	-990	7	5	164
VFT G3/4-IG 100	100	770	46.2	-990	7	5	164



## Design Data Vacuum Cup Filters VFT



VFT

Type	D [mm]	G1	H [mm]	H1 [mm]	L [mm]
VFT G1/8-IG 80	48.0	G1/8"-F	60	50	76
VFT G1/8-IG 100	48.0	G1/8"-F	60	50	76
VFT G1/4-IG 80	48.0	G1/4"-F	60	50	76
VFT G1/4-IG 100	48.0	G1/4"-F	60	50	76
VFT G3/8-IG 80	48.5	G3/8"-F	101	88	78
VFT G3/8-IG 100	48.5	G3/8"-F	101	88	78
VFT G1/2-IG 80	48.0	G1/2"-F	101	88	78
VFT G1/2-IG 100	48.5	G1/2"-F	101	88	78
VFT G3/4-IG 80	75.0	G3/4"-F	137	118	91
VFT G3/4-IG 100	75.0	G3/4"-F	137	118	91

