

# Touch Valves TV / TVN

Flow rate from 12 l/min to 160 l/min



Touch Valves TV / TVN

## Design

- Touch valve with spring loaded plunger and protective cap
- Type TVN with molded-on suction cup nipple for direct mounting
- Does not react if the suction cup is only partially in contact with the workpiece

## Suitability for Industry Specific Applications

### Applications

- Touch valve for applications where some of the suction cups may not always be in contact with the workpiece
- Vacuum line to a suction cup is opened only if a workpiece is detected by a mechanical sensor
- May be installed in any orientation

### Our Highlights...

- Touch valve with spring loaded plunger
- Reaction is unaffected by the workpiece material
- Minimum size

### Your Benefits...

- The vacuum line is opened only if the suction cup is in contact with the workpiece (mechanical sensing)
- Can also be used for porous workpieces
- Also suitable for use in restricted spaces



## Designation Code Touch Valves TV / TVN

<b>TV</b>	-	<b>G1/4-AG</b>	-	<b>9</b>	-	<b>N009</b>
<b>1</b>		<b>2</b>		<b>3</b>		<b>4</b>

### 1 – Abbreviated designation

Code	Version
TV	Without suction cup nipple
TVN	With suction cup nipple

### 2 – Connection

Code	Connection
G1/8-AG	G1/8-AG (AG = male (M))
G1/4-AG	G1/4-AG
G1/2-AG	G1/2-AG

### 3 – Plunger stroke

Code	Stroke in mm
5...13	5 to 13

### 4 – Nipple family

Code	Type
N007...	N007 to N009 and N041
N009, N041	

Touch valve TV / TVN is delivered as a ready-to-connect product.



# Touch Valves TV / TVN

Flow rate from 12 l/min to 160 l/min

- Schmalz – The Company
- Vacuum Suction Cups
- Special Grippers
- Gripping Systems
- Clamping Systems
- Mounting Elements
- Vacuum Generators
- Valve Technology
- Switches and Monitoring
- Filters and Connections
- Services
- Contact
- Glossary
- Index of Products



## Ordering Data Touch Valves TV / TVN

Type	Part no.
TV G1/4-AG 5	10.05.10.00064
TV G1/4-AG 13	10.05.10.00061
TV G1/2-AG 13	10.05.10.00038
TVN G1/8-AG 6 N007	10.05.10.00021
TVN G1/8-AG 6.5 N008	10.05.10.00023
TVN G1/4-AG 8.4 N041	10.05.10.00058
TVN G1/4-AG 9 N009	10.05.10.00065

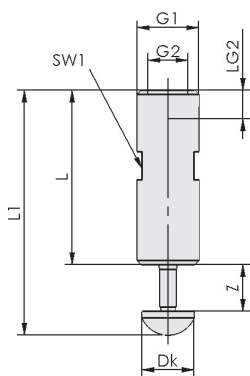


## Technical Data Touch Valves TV / TVN

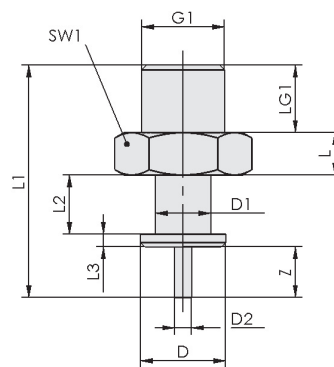
Type	Nominal flow rate [l/min]	Nominal flow rate [m³/h]
TV G1/4-AG 5	55	3.3
TV G1/4-AG 13	55	3.3
TV G1/2-AG 13	160	9.6
TVN G1/8-AG 6 N007	12	0.7
TVN G1/8-AG 6.5 N008	12	0.7
TVN G1/4-AG 8.4 N041	78	4.6
TVN G1/4-AG 9 N009	78	4.6



## Design Data Touch Valves TV / TVN



TV



TVN 6 - 8.4

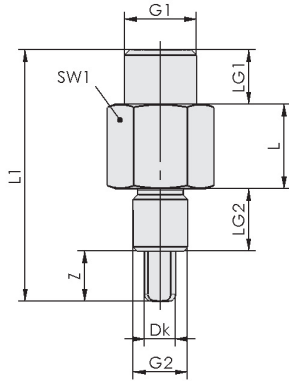


# Touch Valves TV / TVN

Flow rate from 12 l/min to 160 l/min



## Design Data Touch Valves TV / TVN



TVN 9

Type	D [mm]	D1 [mm]	D2 [mm]	Dk [mm]	G1	G2	L [mm]	L1 [mm]	L2 [mm]	L3 [mm]	LG1 [mm]	LG2 [mm]	SW1 [mm]	Z (Stroke) [mm]
TV G1/4-AG 5	-	-	-	11	G1/4"-M	G1/8"-F	45.5	55.7	-	-	-	6	11	5.0
TV G1/4-AG 13	-	-	-	11	G1/4"-M	G1/8"-F	45.5	63.1	-	-	-	6	11	13.0
TV G1/2-AG 13	-	-	-	11	G1/2"-M	G3/8"-F	54.5	67.5	-	-	-	12	19	13.0
TVN G1/8-AG 6 N007	10	6.5	2.0	-	G1/8"-M	-	5.0	27.5	7.0	1.5	8	-	14	6.0
TVN G1/8-AG 6.5 N008	14	8.5	2.0	-	G1/8"-M	-	5.0	28.5	7.0	1.5	8	-	14	6.5
TVN G1/4-AG 8.4 N041	17	8.7	6.0	-	G1/4"-M	-	10.0	45.7	12.3	3.0	11	-	17	8.4
TVN G1/4-AG 9 N009	-	-	-	6	G1/4"-M	M10x1.25-M	15.5	47.0	-	-	10	12	17	9.0

- Schmalz – The Company
- Vacuum Suction Cups
- Special Grippers
- Gripping Systems
- Clamping Systems
- Mounting Elements
- Vacuum Generators
- Valve Technology
- Switches and Monitoring
- Filters and Connections
- Services
- Contact
- Glossary
- Index of Products

