

Flow Restrictors SW

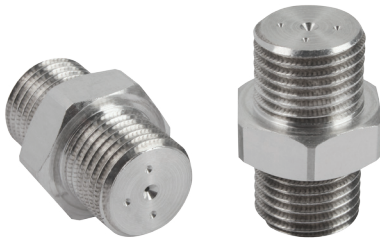
Nominal diameter from 0.25 mm to 2 mm



Suitability for Industry Specific Applications

Applications

- Flow resistor for handling of porous workpieces
- Reduction of the flow rate through individual suction cups in order to maintain the vacuum in the overall system
- May be installed in any orientation



Flow Restrictors SW

Design

- Double ended threaded nipple with reduced flow cross section
- Large gradation of different flow cross sections

Our Highlights...

- No moving parts
- Acts as a flow resistor with a reduced cross section
- Minimum size

Your Benefits...

- Robust design with long operating lifetime
- Reduction of the cross section of the vacuum line, particularly useful when handling porous workpieces
- Also suitable for use in restricted spaces



Designation Code Flow Restrictors SW



1 – Abbreviated designation

| Code | Version |
|------|---------|
| SW | SW |

2 – Nozzle size

| Code | Nozzle size in mm |
|----------|-------------------|
| 25...200 | 0.25 to 2 |

3 – Connection

| Code | Connection |
|---------|-------------------------|
| G1/8-AG | G1/8-AG (AG = male (M)) |
| G1/4-AG | G1/4-AG |

Flow resistor SW is delivered as a ready-to-connect product.



Schmalz – The Company
Vacuum Suction Cups
Special Grippers
Gripping Systems
Clamping Systems
Mounting Elements
Vacuum Generators
Valve Technology
Switches and Monitoring
Filters and Connections
Services
Contact
Glossary
Index of Products

Flow Restrictors SW

Nominal diameter from 0.25 mm to 2 mm

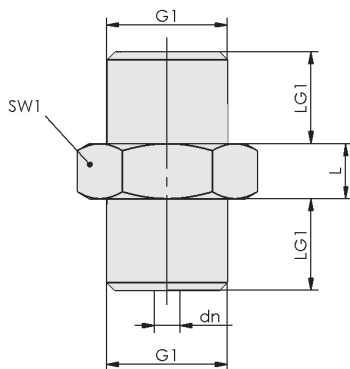
Ordering Data Flow Restrictors SW

| Type | G1/8-AG | G1/4-AG |
|--------|----------------|----------------|
| SW 25 | 10.05.04.00034 | - |
| SW 40 | 10.05.04.00001 | 10.05.04.00010 |
| SW 50 | 10.05.04.00002 | 10.05.04.00011 |
| SW 60 | 10.05.04.00003 | 10.05.04.00012 |
| SW 70 | 10.05.04.00004 | 10.05.04.00013 |
| SW 80 | 10.05.04.00005 | 10.05.04.00014 |
| SW 90 | 10.05.04.00006 | 10.05.04.00015 |
| SW 100 | 10.05.04.00007 | 10.05.04.00016 |
| SW 110 | 10.05.04.00008 | 10.05.04.00017 |
| SW 120 | 10.05.04.00009 | 10.05.04.00018 |
| SW 150 | - | 10.05.04.00029 |
| SW 200 | - | 10.05.04.00019 |

Technical Data Flow Restrictors SW

| Type | Evacuation rate for pu = -0,3 bar [m³/h] | Evacuation rate for pu = -0,3 bar [l/min] | Evacuation rate for pu = -0,6 bar [m³/h] | Evacuation rate for pu = -0,6 bar [l/min] |
|--------|---|--|---|--|
| SW 25 | 0.01 | 0.2 | 0.02 | 0.3 |
| SW 40 | 0.06 | 1.0 | 0.08 | 1.3 |
| SW 50 | 0.13 | 2.2 | 0.15 | 2.5 |
| SW 60 | 0.18 | 3.0 | 0.19 | 3.1 |
| SW 70 | 0.24 | 4.0 | 0.26 | 4.3 |
| SW 80 | 0.30 | 4.9 | 0.32 | 5.3 |
| SW 90 | 0.39 | 6.5 | 0.42 | 7.0 |
| SW 100 | 0.47 | 7.8 | 0.50 | 8.4 |
| SW 110 | 0.62 | 10.3 | 0.63 | 10.5 |
| SW 120 | 0.74 | 12.3 | 0.76 | 12.7 |
| SW 150 | 1.32 | 22.0 | 1.40 | 23.4 |
| SW 200 | 2.05 | 34.1 | 2.19 | 36.4 |

Design Data Flow Restrictors SW



SW

Flow Restrictors SW

Nominal diameter from 0.25 mm to 2 mm



Design Data Flow Restrictors SW

| Type | dn [mm] | G1 | L [mm] | LG1 [mm] | SW1 [mm] |
|----------------|------------|---------|-----------|-------------|-------------|
| SW 25 G1/8-AG | 0.25 | G1/8"-M | 6 | 9.5 | 14 |
| SW 40 G1/8-AG | 0.40 | G1/8"-M | 6 | 9.5 | 14 |
| SW 50 G1/8-AG | 0.50 | G1/8"-M | 6 | 9.5 | 14 |
| SW 60 G1/8-AG | 0.60 | G1/8"-M | 6 | 9.5 | 14 |
| SW 70 G1/8-AG | 0.70 | G1/8"-M | 6 | 9.5 | 14 |
| SW 80 G1/8-AG | 0.80 | G1/8"-M | 6 | 9.5 | 14 |
| SW 90 G1/8-AG | 0.90 | G1/8"-M | 6 | 9.5 | 14 |
| SW 100 G1/8-AG | 1.00 | G1/8"-M | 6 | 9.5 | 14 |
| SW 110 G1/8-AG | 1.11 | G1/8"-M | 6 | 9.5 | 14 |
| SW 120 G1/8-AG | 1.20 | G1/8"-M | 6 | 9.5 | 14 |
| SW 40 G1/4-AG | 0.40 | G1/4"-M | 6 | 10.0 | 17 |
| SW 50 G1/4-AG | 0.50 | G1/4"-M | 6 | 10.0 | 17 |
| SW 60 G1/4-AG | 0.60 | G1/4"-M | 6 | 10.0 | 17 |
| SW 70 G1/4-AG | 0.70 | G1/4"-M | 6 | 10.0 | 17 |
| SW 80 G1/4-AG | 0.80 | G1/4"-M | 6 | 10.0 | 17 |
| SW 90 G1/4-AG | 0.90 | G1/4"-M | 6 | 10.0 | 17 |
| SW 100 G1/4-AG | 1.00 | G1/4"-M | 6 | 10.0 | 17 |
| SW 110 G1/4-AG | 1.11 | G1/4"-M | 6 | 10.0 | 17 |
| SW 120 G1/4-AG | 1.20 | G1/4"-M | 6 | 10.0 | 17 |
| SW 150 G1/4-AG | 1.50 | G1/4"-M | 5 | 9.0 | 17 |
| SW 200 G1/4-AG | 2.00 | G1/4"-M | 5 | 9.0 | 17 |

Schmalz –
The CompanyVacuum
Suction CupsSpecial
GrippersGripping
SystemsClamping
SystemsMounting
ElementsVacuum
GeneratorsValve
TechnologySwitches and
MonitoringFilters and
Connections

Services

Contact

Glossary

Index of
Products