

Hose Clamps SSB / SSD

Clamping range from 10 mm to 90 mm



Suitability for Industry Specific Applications

Applications

- Hose clamp SSB for securing smooth hoses
- Hose clamp SSD for securing hoses with wire reinforcement



Hose Clamps SSB / SSD

Design

- Hose clamp made of galvanized steel
- Robust clamping screw for safe clamping

Our Highlights...

- Hose clamps with diameters up to 84 mm
- High clamping forces due to robust clamping screw

Your Benefits...

- Fitting for all vacuum hoses in our product range
- Secure clamping of all vacuum hoses, including those with wire spirals

Designation Code Hose Clamps SSB / SSD

SSB	-	10-16	-	ST-VZ
1		2		3

1 – Abbreviated designation

Code	Version
SSB	Smooth hoses
SSD	Hoses with wire reinforcement

2 – Clamping range

Code	Clamping range in mm
10-16...85-90	ø 10-16 to 85-90

3 – Material

Code	Material
ST-VZ	Steel, plated
A2	Stainless steel

Hose clamp SSB / SSD is delivered in the desired diameter.

Available accessories: cap

- Schmalz – The Company
- Vacuum Suction Cups
- Special Grippers
- Gripping Systems
- Clamping Systems
- Mounting Elements
- Vacuum Generators
- Valve Technology
- Switches and Monitoring
- Filters and Connections
- Services
- Contact
- Glossary
- Index of Products



Hose Clamps SSB / SSD

Clamping range from 10 mm to 90 mm

- Schmalz – The Company
- Vacuum Suction Cups
- Special Grippers
- Gripping Systems
- Clamping Systems
- Mounting Elements
- Vacuum Generators
- Valve Technology
- Switches and Monitoring
- Filters and Connections
- Services
- Contact
- Glossary
- Index of Products

Ordering Data Hose Clamps SSB / SSD

Type	Part no.	Accessories	Part no.
SSB 10-16 ST-VZ	10.07.10.00001	Cap (rectangular)	20.12.01.00036
SSB 16-27 ST-VZ	10.07.10.00002	Cap (rectangular)	20.12.01.00036
SSB 20-32 ST-VZ	10.07.10.00003	Cap (rectangular)	20.12.01.00036
SSB 32-50 ST-VZ	10.07.10.00004	Cap (rectangular)	20.12.01.00036
SSB 40-60 ST-VZ	10.07.10.00005	Cap (rectangular)	20.12.01.00036
SSB 60-80 ST-VZ	10.07.10.00006	Cap (rectangular)	20.12.01.00036
SSD 24-27 ST-VZ	10.07.10.00086	-	-
SSD 28-32 ST-VZ	10.07.10.00087	-	-
SSD 35-40 ST-VZ	10.07.10.00018	-	-
SSD 38-43 ST-VZ	10.07.10.00019	-	-
SSD 43-49 ST-VZ	10.07.10.00020	-	-
SSD 54-60 ST-VZ	10.07.10.00036	-	-
SSD 60-68 ST-VZ	10.07.10.00017	-	-
SSD 64-70 A2	10.07.10.00098	-	-
SSD 76.5-84 ST-VZ	10.07.10.00037	-	-
SSD 85-90 ST-VZ	10.07.10.00102	-	-

Technical Data Hose Clamps SSB / SSD

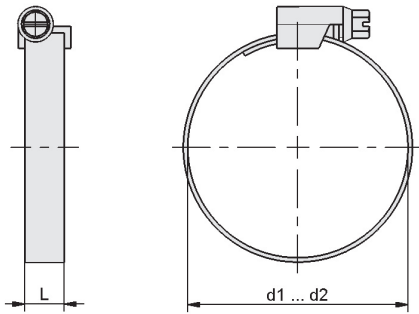
Type	Clamping range [mm]
SSB 10-16 ST-VZ	10.0 ... 16.0
SSB 16-27 ST-VZ	16.0 ... 27.0
SSB 20-32 ST-VZ	20.0 ... 32.0
SSB 32-50 ST-VZ	32.0 ... 50.0
SSB 40-60 ST-VZ	40.0 ... 60.0
SSB 60-80 ST-VZ	60.0 ... 80.0
SSD 24-27 ST-VZ	24.0 ... 27.0
SSD 28-32 ST-VZ	28.0 ... 32.0
SSD 35-40 ST-VZ	35.0 ... 40.0
SSD 38-43 ST-VZ	38.0 ... 43.0
SSD 43-49 ST-VZ	43.0 ... 49.0
SSD 54-60 ST-VZ	54.0 ... 60.0
SSD 60-68 ST-VZ	60.0 ... 68.0
SSD 64-70 A2	64.0 ... 70.0

Hose Clamps SSB / SSD

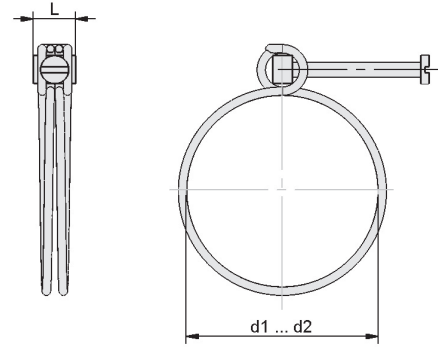
Clamping range from 10 mm to 90 mm



Design Data Hose Clamps SSB / SSD



SSB



SSD

Type	d1 [mm]	d2 [mm]	L [mm]
SSB 10-16 ST-VZ	10	16	9
SSB 16-27 ST-VZ	16	27	9
SSB 20-32 ST-VZ	20	32	9
SSB 32-50 ST-VZ	32	50	9
SSB 40-60 ST-VZ	40	60	9
SSB 60-80 ST-VZ	60	80	9
SSD 24-27 ST-VZ	24	27	12
SSD 28-32 ST-VZ	28	32	12
SSD 35-40 ST-VZ	35	40	13
SSD 38-43 ST-VZ	38	43	13
SSD 43-49 ST-VZ	43	49	15
SSD 54-60 ST-VZ	54	60	15
SSD 60-68 ST-VZ	60	68	15
SSD 64-70 A2	64	70	13
SSD 76.5-84 ST-VZ	77	84	18
SSD 85-90 ST-VZ	85	90	19

- Schmalz – The Company
- Vacuum Suction Cups
- Special Grippers
- Gripping Systems
- Clamping Systems
- Mounting Elements
- Vacuum Generators
- Valve Technology
- Switches and Monitoring
- Filters and Connections
- Services
- Contact
- Glossary
- Index of Products

