

Manometers VAM

Measuring range from -1 bar to 0 bar

- Schmalz – The Company
- Vacuum Suction Cups
- Special Grippers
- Gripping Systems
- Clamping Systems
- Mounting Elements
- Vacuum Generators
- Valve Technology
- Switches and Monitoring
- Filters and Connections
- Services
- Contact
- Glossary
- Index of Products



Suitability for Industry Specific Applications

Applications

- Vacuum manometer for analog measurement and monitoring of vacuum values
- Universal use in vacuum systems



Manometers VAM

Design

- Vacuum manometer VAM 67 V H-SE is a spring tube manometer
- VAM 100 V250 and VAM 63 V400 are capsule element manometers with zero adjustment
- VAM 67 V H-SE has a fixed front ring
- Vacuum connection either at the rear (-H) or the bottom (-U)

Our Highlights...

- Conventional spring tube or capsule element vacuum manometers
- Standardized dimensions and connections
- Various measuring ranges

Your Benefits...

- Simple and reliable; proven in many years of use
- Suitable for all existing vacuum applications
- Function is matched to customer requirements



Designation Code Manometers VAM



1 – Abbreviated designation

| Code | Version |
|------|---------|
| VAM | VAM |

2 – Diameter

| Code | Diameter in mm |
|----------|----------------|
| 40...100 | ø 40 to 100 |

3 – Measuring range

| Code | Measuring range in mbar |
|------|-------------------------|
| V250 | -250 to 0 |
| V400 | -400 to 0 |
| V | -1000 to 0 |

4 – Vacuum connection

| Code | Connection |
|------|------------|
| H | Back |
| U | Bottom |

5 – Scale unit

| Code | Unit |
|------|------|
| – | mbar |
| PSI | PSI |

6 – Design

| Code | Type |
|------|--------------------|
| SE | For panel mounting |

Manometer VAM is delivered as a ready-to-connect product.

Available accessories: pressure limiter valve



Manometers VAM



Measuring range from -1 bar to 0 bar

Ordering Data Manometers VAM

| Type | Part no. |
|----------------|----------------|
| VAM 40 V H | 10.07.02.00007 |
| VAM 40 V DR | 10.07.02.00035 |
| VAM 63 V250 H | 10.07.02.00006 |
| VAM 63 V400 H | 10.07.02.00002 |
| VAM 63 V H PSI | 10.07.02.00003 |
| VAM 63 V U PSI | 10.07.02.00004 |
| VAM 67 V H-SE | 10.07.02.00016 |
| VAM 100 V250 U | 10.07.02.00001 |

Ordering Data Accessories Manometers VAM

| Type | Part no. |
|---|----------------|
| Pressure-limiter valve DBV-M G1/4-AG MS | 10.05.05.00057 |

Technical Data Manometers VAM

| Type | Measuring range [bar] |
|----------------|-----------------------|
| VAM 40 V H | -1.00...0.00 |
| VAM 40 V DR | -1.00...0.00 |
| VAM 63 V250 H | -0.25...0.00 |
| VAM 63 V400 H | -0.40...0.00 |
| VAM 63 V H PSI | -1.00...0.00 |
| VAM 63 V U PSI | -1.00...0.00 |
| VAM 67 V H-SE | -1.00...0.00 |
| VAM 100 V250 U | -0.25...0.00 |

Schmalz –
The Company

Vacuum
Suction Cups

Special
Grippers

Gripping
Systems

Clamping
Systems

Mounting
Elements

Vacuum
Generators

Valve
Technology

Switches and
Monitoring

Filters and
Connections

Services

Contact

Glossary

Index of
Products

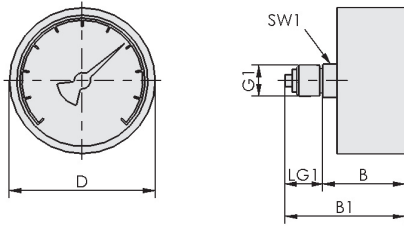


Manometers VAM

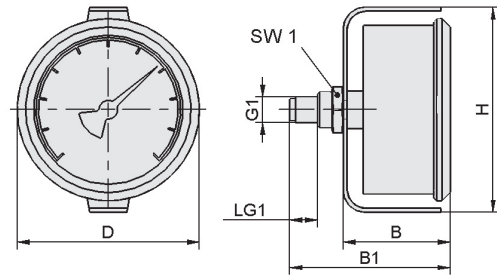
Measuring range from -1 bar to 0 bar



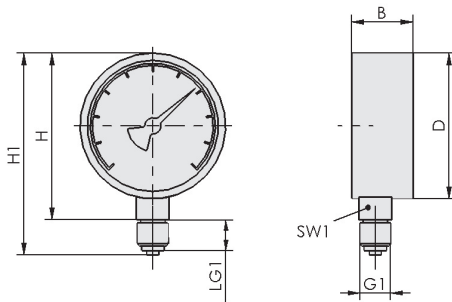
Design Data Manometers VAM



VAM 40, VAM 63H



VAM 67 V H-SE



VAM 63U, VAM 100U

| Type | B [mm] | B1 [mm] | D [mm] | G1 | H [mm] | H1 [mm] | LG1 [mm] | SW1 [mm] |
|----------------|-----------|------------|-----------|---------|-----------|------------|-------------|-------------|
| VAM 40 V H | 30 | 40 | 40 | G1/8"-M | - | - | 10 | 12 |
| VAM 40 V DR | 30 | 40 | 40 | G1/8"-M | - | - | 9 | 12 |
| VAM 63 V250 H | 34 | 46 | 63 | G1/4"-M | - | - | 12 | 14 |
| VAM 63 V400 H | 34 | 46 | 63 | G1/4"-M | - | - | 12 | 14 |
| VAM 63 V H PSI | 35 | 48 | 63 | G1/4"-M | - | - | 13 | 14 |
| VAM 63 V U PSI | 26 | - | 63 | G1/4"-M | 68 | 82.5 | 13 | 14 |
| VAM 67 V H-SE | 40 | 59 | 67 | G1/8"-M | 76 | - | 10 | 14 |
| VAM 100 V250 U | 87 | - | 100 | G1/2"-M | 112 | 142.0 | 25 | 22 |



- Schmalz - The Company
- Vacuum Suction Cups
- Special Grippers
- Gripping Systems
- Clamping Systems
- Mounting Elements
- Vacuum Generators
- Valve Technology
- Switches and Monitoring
- Filters and Connections
- Services
- Contact
- Glossary
- Index of Products