

Two-Way Ball Valves KVZ

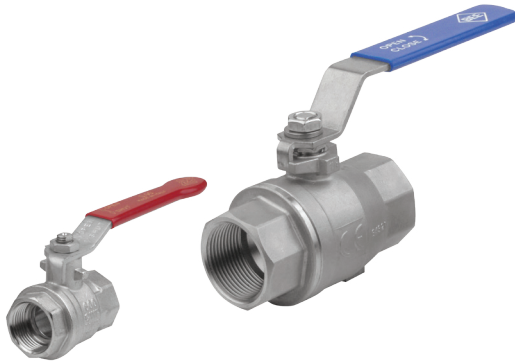
Nominal diameter from 8 mm to 50 mm



Suitability for Industry Specific Applications

Applications

- Two-way ball valve for manual connection and disconnection of vacuum and compressed air circuits
- For use in vacuum spiders and handling devices
- May be installed in any orientation



Two-Way Ball Valves KVZ

Design

- Ball valve made of brass (body and ball)
- Teflon gaskets
- 2/2-way valve

Our Highlights...

- For use with vacuum and compressed air
- Wide range of nominal sizes
- Robust brass construction

Your Benefits...

- Absolutely tight: no leaks
- Optimum matching to nominal flow rate
- Robust and free of wear



Designation Code Two-Way Ball Valves KVZ



1 – Abbreviated designation

Code	Version
KVZ	KVZ

2 – Nozzle size

Code	Nozzle size in mm
8...50	8 to 50

3 – Variant

Code	Type
2/2	2/2-way valve

Two-way ball valve KVZ is delivered as a ready-to-connect product.



Schmalz – The Company
Vacuum Suction Cups
Special Grippers
Gripping Systems
Clamping Systems
Mounting Elements
Vacuum Generators
Valve Technology
Switches and Monitoring
Filters and Connections
Services
Contact
Glossary
Index of Products

Two-Way Ball Valves KVZ

Nominal diameter from 8 mm to 50 mm



Ordering Data Two-Way Ball Valves KVZ

Type	Part no.
KVZ 8 2/2	10.05.08.00018
KVZ 20 2/2	10.05.08.00007
KVZ 32 2/2	10.05.08.00008
KVZ 50 2/2	10.05.08.00009

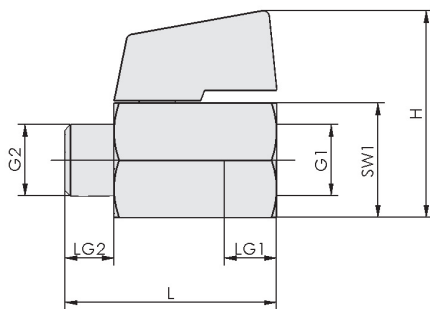


Technical Data Two-Way Ball Valves KVZ

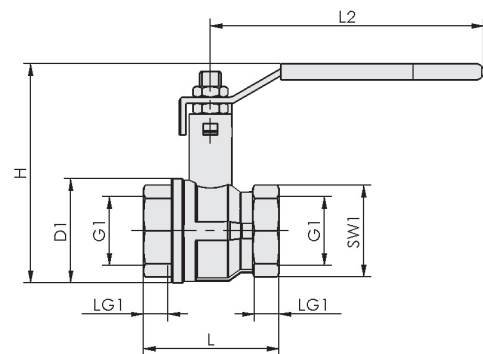
Type	Nominal size [mm]	Nominal flow rate [m³/h]	Nominal flow rate [l/min]	Pressure range (operating pressure) [bar]	Weight [kg]
KVZ 8 2/2	8	10	168	-0.95 ... 15.00	0.077
KVZ 20 2/2	20	45	750	-0.95 ... 15.00	0.280
KVZ 32 2/2	32	100	1,667	-0.95 ... 15.00	0.700
KVZ 50 2/2	50	310	5,167	-0.95 ... 15.00	1.470



Design Data Two-Way Ball Valves KVZ



KVZ 8



KVZ 20 - 50

Type	D1 [mm]	G1	G2	H [mm]	L [mm]	L2 [mm]	LG1 [mm]	LG2 [mm]	SW1 [mm]
KVZ 8 2/2	-	G1/4"-F	G1/4"-M	38	39	-	11	9	21
KVZ 20 2/2	39	G3/4"-F	-	70	54	120	12	-	31
KVZ 32 2/2	59	G1-1/4"-F	-	125	77	155	16	-	48
KVZ 50 2/2	86	G2"-F	-	151	106	155	20	-	66

