

# Three-Way Ball Valves KVD

Nominal diameter from 6 mm to 25 mm



## Suitability for Industry Specific Applications

### Applications

- Three-way ball valve for manual connection and disconnection of vacuum and compressed air circuits
- Activation and venting of individual suction cups
- For use in vacuum spiders and handling devices
- May be installed in any orientation



Three-Way Ball Valves KVD

### Design

- Ball valve made of brass (body and ball)
- Teflon gaskets
- Aluminum handle
- 3/2-way valve

### Our Highlights...

- For use with vacuum and compressed air
- Wide range of nominal sizes
- Robust brass construction
- Venting function

### Your Benefits...

- Absolutely tight: no leaks
- Optimal matching to the nominal flow rate
- Robust and free of wear
- Quick release of parts

## Designation Code Three-Way Ball Valves KVD

<b>KVD</b>	-	<b>6</b>	-	<b>3/2</b>
<b>1</b>		<b>2</b>		<b>3</b>

**1** - Abbreviated designation

**2** - Nozzle size

**3** - Variant

Code	Version
KVD	KVD

Code	Nozzle size in mm
6...25	6 to 25

Code	Type
3/2	3/2-way valve

Three-way ball valve KVD is delivered as a ready-to-connect product.

## Ordering Data Three-Way Ball Valves KVD

Type	Part no.
KVD 6 3/2	10.05.08.00001
KVD 10 3/2	10.05.08.00002
KVD 15 3/2	10.05.08.00003
KVD 20 3/2	10.05.08.00004
KVD 25 3/2	10.05.08.00005



# Three-Way Ball Valves KVD

Nominal diameter from 6 mm to 25 mm



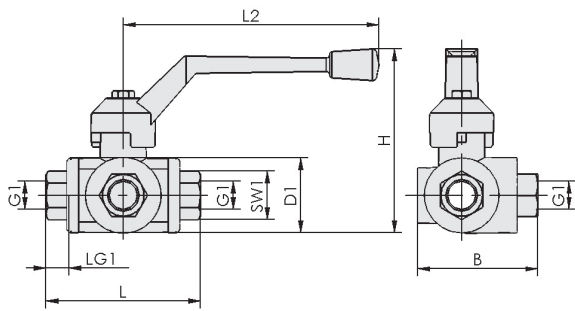
## Technical Data Three-Way Ball Valves KVD

Type	Nominal size [mm]	Nominal flow rate [m³/h]*	Nominal flow rate [l/min]	Pressure range (operating pressure) [bar]	Weight [kg]
KVD 6 3/2	6	5	84	-0.95 ... 16.00	0.081
KVD 10 3/2	10	15	250	-0.95 ... 16.00	0.810
KVD 15 3/2	15	22	367	-0.95 ... 16.00	0.810
KVD 20 3/2	20	45	750	-0.95 ... 16.00	1.260
KVD 25 3/2	25	55	917	-0.95 ... 16.00	1.930

\*In the case of a pressure drop of 50 mbar



## Design Data Three-Way Ball Valves KVD



KVD

Type	B [mm]	D1 [mm]	G1	H [mm]	L [mm]	L2 [mm]	LG1 [mm]	SW1 [mm]
KVD 6 3/2	58	39	G1/4"-F	85	77	125	19	22
KVD 15 3/2	58	39	G1/2"-F	85	77	125	19	29
KVD 10 3/2	58	39	G3/8"-F	85	77	125	19	22
KVD 25 3/2	80	55	G1"-F	124	104	170	25	41
KVD 20 3/2	70	47	G3/4"-F	107	92	145	23	34