

Solenoid Valves EMVP

Nominal diameter from 5 mm to 50 mm



Solenoid Valves EMVP

Design

- Solenoid valve with pneumatic pilot control
- Seat valve in aluminum housing (EMVP 5-15) as well as plastic housing EMVP 20 to 50
- Degree of protection IP 65 according to EN 60529
- Terminal box EMVP 5/8 and all IMPs conform with DIN EN 175301 Form "C"
- Terminal box EMVP 10-25 NO/NC conforms with DIN 43650 Form "B"
- Terminal box EMVP 32-50 NO conforms with DIN 43650 Form "B"

Suitability for Industry Specific Applications

Applications

- Solenoid valve for control at high nominal flow rates
- Control of vacuum, blow off and venting of the suction cup
- NO function ensures the workpiece is held even in the case of a power failure
- For handling tasks with very short switching times
- Vacuum valve suitable for neutral or filtered gases

Product Highlights

- Pilot control with compressed air ($p = 5 \text{ bar}$) enables extremely fast opening and closing times
- Wide range of nominal sizes allows optimum adaptation to the nominal flow
- 3/2 and 5/2 multiway valve to control flow rate or ventilation
- Bistable impulse valve avoids air consumption in case of power failure (IMP version)

Designation Code Solenoid Valves EMVP

EMVP	-	15	-	24V-DC	-	3/2	-	NC
1		2		3		4		5

1 – Abbreviated designation

Code	Version
EMVP	EMVP

2 – Nozzle size

Code	Nozzle size in mm
5...50	5 to 50

3 – Voltage

Code	Voltage in V
24V-DC	Direct current
230V-AC	Single phase

4 – Variant

Code	Type
3/2	3/2-way valve
5/2	5/2-way valve

5 – Idle position suction valve

Code	Type
IMP	Bistable switched with pulse
NC	Normally closed
NO	Normally open

Solenoid valve EMVP is delivered as a ready-to-connect product.

Available accessories: venting filter, connection cable for solenoid valves, socket with M12 connection

Solenoid Valves EMVP

Nominal diameter from 5 mm to 50 mm

Ordering Data Solenoid Valves EMVP

Type	Part no.
EMVP 5 24V-DC 3/2 NC	10.05.02.00162
EMVP 5 24V-DC 5/2 IMP	10.05.02.00163
EMVP 8 24V-DC 3/2 NC	10.05.02.00164
EMVP 8 24V-DC 5/2 IMP	10.05.02.00165
EMVP 10 230V-AC 3/2 NO/NC	10.05.02.00143
EMVP 10 24V-DC 3/2 NO/NC	10.05.02.00144
EMVP 15 230V-AC 3/2 NO/NC	10.05.02.00145
EMVP 15 24V-DC 3/2 NO/NC	10.05.02.00146
EMVP 15 24V-DC 3/2 IMP	10.05.02.00147
EMVP 20 230V-AC 3/2 NO/NC	10.05.02.00148
EMVP 20 24V-DC 3/2 NO/NC	10.05.02.00149
EMVP 20 24V-DC 3/2 IMP	10.05.02.00167
EMVP 25 230V-AC 3/2 NO/NC	10.05.02.00150
EMVP 25 24V-DC 3/2 NO/NC	10.05.02.00151
EMVP 25 24V-DC 3/2 IMP	10.05.02.00152
EMVP 32 230V-AC 3/2 NO	10.05.02.00074
EMVP 32 24V-DC 3/2 NO	10.05.02.00068
EMVP 50 230V-AC 3/2 NO	10.05.02.00075
EMVP 50 24V-DC 3/2 NO	10.05.02.00069

Ordering Data Accessories Solenoid Valves EMVP

Type	Venting filter	Socket with M12-connection	Connection cable for solenoid valves (5 m, PVC)
EMVP 5 24V-DC 3/2 NC	-	-	21.04.06.00084
EMVP 5 24V-DC 5/2 IMP	-	-	21.04.06.00084
EMVP 8 24V-DC 3/2 NC	-	-	21.04.06.00084
EMVP 8 24V-DC 5/2 IMP	-	-	21.04.06.00084
EMVP 10 24V-DC 3/2 NO/NC	10.05.01.00065	10.05.02.00157	-
EMVP 10 230V-AC 3/2 NO/NC	10.05.01.00065	-	-
EMVP 15 24V-DC 3/2 NO/NC	10.05.01.00061	10.05.02.00157	-
EMVP 15 24V-DC 3/2 IMP	10.05.01.00061	-	21.04.06.00084
EMVP 15 230V-AC 3/2 NO/NC	10.05.01.00061	-	-
EMVP 20 24V-DC 3/2 NO/NC	10.05.01.00062	10.05.02.00157	-
EMVP 20 24V-DC 3/2 IMP	10.05.01.00062	-	21.04.06.00084
EMVP 20 230V-AC 3/2 NO/NC	10.05.01.00062	-	-
EMVP 25 24V-DC 3/2 NO/NC	10.05.01.00063	10.05.02.00157	-
EMVP 25 24V-DC 3/2 IMP	10.05.01.00063	-	21.04.06.00084
EMVP 25 230V-AC 3/2 NO/NC	10.05.01.00063	-	-
EMVP 32 24V-DC 3/2 NO	10.05.01.00062	10.05.02.00157	-
EMVP 32 230V-AC 3/2 NO	10.05.01.00062	-	-
EMVP 50 24V-DC 3/2 NO	10.05.01.00064	-	-
EMVP 50 230V-AC 3/2 NO	10.05.01.00064	-	-

Solenoid Valves EMVP

Nominal diameter from 5 mm to 50 mm

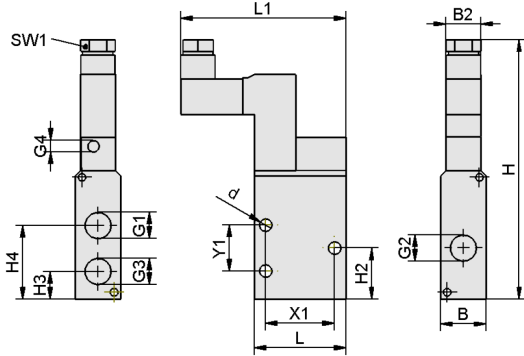
Technical Data Solenoid Valves EMVP

Type	Nominal size [mm]	Control valve	Nominal flow rate [m³/h]	Nominal flow rate [l/min]	Power consumption DC [W]	Closing time [ms]	Weight [kg]
EMVP 5 24V-DC 3/2 NC	5	Normally closed	3	50	1	19	0.11
EMVP 5 24V-DC 5/2 IMP	5	Double pilot valve	3	50	1	13	0.16
EMVP 8 24V-DC 3/2 NC	8	Normally closed	6	100	1	19	0.15
EMVP 8 24V-DC 5/2 IMP	8	Double pilot valve	6	100	1	11	0.27
EMVP 10 230V-AC 3/2 NO/NC	10	Optional NO/NC	10	167	5	22	0.42
EMVP 10 24V-DC 3/2 NO/NC	10	Optional NO/NC	10	167	5	22	0.42
EMVP 15 230V-AC 3/2 NO/NC	15	Optional NO/NC	20	333	5	90	0.39
EMVP 15 24V-DC 3/2 NO/NC	15	Optional NO/NC	20	333	5	90	0.39
EMVP 15 24V-DC 3/2 IMP	15	Double pilot valve	20	333	5	110	0.56
EMVP 20 24V-DC 3/2 NO/NC	20	Optional NO/NC	40	667	5	90	0.37
EMVP 20 230V-AC 3/2 NO/NC	20	Optional NO/NC	40	667	5	90	0.37
EMVP 20 24V-DC 3/2 IMP	20	Double pilot valve	40	667	5	110	0.53
EMVP 25 230V-AC 3/2 NO/NC	25	Optional NO/NC	90	1,500	5	80	0.52
EMVP 25 24V-DC 3/2 NO/NC	25	Optional NO/NC	90	1,500	5	80	0.52
EMVP 25 24V-DC 3/2 IMP	25	Double pilot valve	90	1,500	5	100	0.68
EMVP 32 230V-AC 3/2 NO	32	Normally open	130	2,167	5	300	0.50
EMVP 32 24V-DC 3/2 NO	32	Normally open	130	2,167	5	300	0.50
EMVP 50 230V-AC 3/2 NO	50	Normally open	310	5,167	5	500	1.36
EMVP 50 24V-DC 3/2 NO	50	Normally open	310	5,167	5	500	1.36

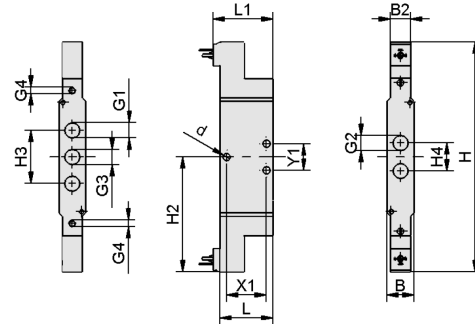
Solenoid Valves EMVP

Nominal diameter from 5 mm to 50 mm

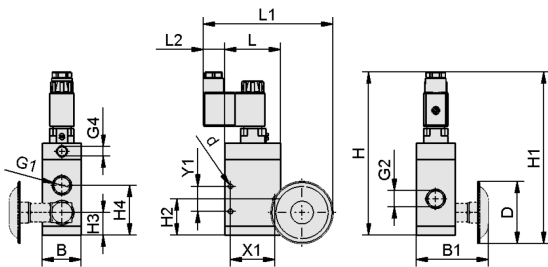
Design Data Solenoid Valves EMVP



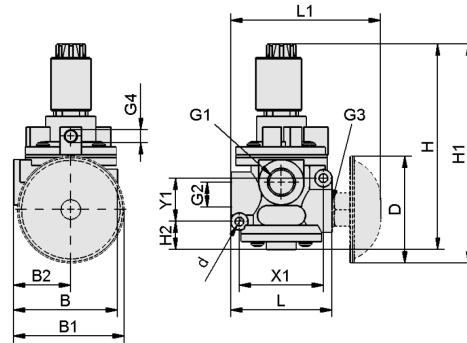
EMVP 5 - 8 NC



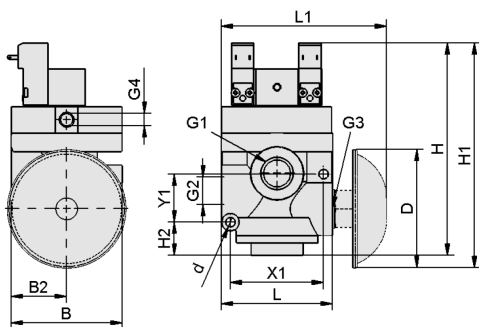
EMVP 5 - 8 IMP



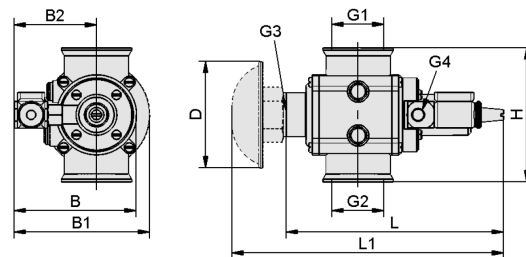
EMVP 10



EMVP 15, 20, 25 NO/NC



EMVP 15, 20, 25 IMP



EMVP 32, EMVP 50

Solenoid Valves EMVP

Nominal diameter from 5 mm to 50 mm

Design Data Solenoid Valves EMVP

Type	B [mm]	B1 [mm]	B2 [mm]	d [mm]	D [mm]	G1	G2	G3	G4
EMVP 5 24V-DC 3/2 NC	15.0	-	15.0	4.3	-	G1/8"-F	G1/8"-F	G1/8"-F	M5-F
EMVP 5 24V-DC 5/2 IMP	15.2	-	15.2	4.3	-	G1/8"-F	G1/8"-F	G1/8"-F	M5-F
EMVP 8 24V-DC 3/2 NC	20.0	-	15.2	5.5	-	G1/4"-F	G1/4"-F	G1/4"-F	M5-F
EMVP 8 24V-DC 5/2 IMP	20.0	-	15.2	5.5	-	G1/4"-F	G1/4"-F	G1/4"-F	M5-F
EMVP 10 230V- AC 3/2 NO/NC	35.0	67	-	4.3	56	G3/8"-F	G3/8"-F	-	G1/8"-F
EMVP 10 24V-DC 3/2 NO/NC	35.0	67	-	4.3	56	G3/8"-F	G3/8"-F	-	G1/8"-F
EMVP 15 230V- AC 3/2 NO/NC	75.0	78	37.5	6.5	80	G1/2"-F	G1/2"-F	G1/2"-F	G1/8"-F
EMVP 15 24V-DC 3/2 NO/NC	75.0	78	37.5	6.5	80	G1/2"-F	G1/2"-F	G1/2"-F	G1/8"-F
EMVP 15 24V-DC 3/2 IMP	75.0	-	37.5	6.5	80	G1/2"-F	G1/2"-F	G1/2"-F	G1/8"-F
EMVP 20 24V-DC 3/2 NO/NC	75.0	78	37.5	6.5	80	G3/4"-F	G3/4"-F	G3/4"-F	G1/8"-F
EMVP 20 230V- AC 3/2 NO/NC	75.0	78	37.5	6.5	80	G3/4"-F	G3/4"-F	G3/4"-F	G1/8"-F
EMVP 20 24V-DC 3/2 IMP	75.0	-	37.5	6.5	80	G3/4"-F	G3/4"-F	G3/4"-F	G1/8"-F
EMVP 25 230V- AC 3/2 NO/NC	94.0	87	47.0	8.0	80	G1"-F	G1"-F	G1"-F	G1/8"-F
EMVP 25 24V-DC 3/2 NO/NC	94.0	87	47.0	8.0	80	G1"-F	G1"-F	G1"-F	G1/8"-F
EMVP 25 24V-DC 3/2 IMP	94.0	-	47.0	8.0	80	G1"-F	G1"-F	G1"-F	G1/8"-F
EMVP 32 230V- AC 3/2 NO	90.5	101	61.5	-	80	G1-1/4"-F	G1-1/4"-F	G3/4"-F	G1/8"-F
EMVP 32 24V-DC 3/2 NO	90.5	101	61.5	-	80	G1-1/4"-F	G1-1/4"-F	G3/4"-F	G1/8"-F
EMVP 50 230V- AC 3/2 NO	114.0	151	105.5	-	80	G2"-F	G2"-F	G1-1/4"-F	G1/8"-F
EMVP 50 24V-DC 3/2 NO	114.0	151	105.5	-	80	G2"-F	G2"-F	G1-1/4"-F	G1/8"-F

Type	H [mm]	H1 [mm]	H2 [mm]	H3 [mm]	H4 [mm]	L [mm]	L1 [mm]	X1 [mm]	Y1 [mm]
EMVP 5 24V-DC 3/2 NC	89	-	20	12.0	27	32	37	23	15
EMVP 5 24V-DC 5/2 IMP	153	-	77	30.0	15	32	37	23	15
EMVP 8 24V-DC 3/2 NC	113	-	23	12.0	32	40	72	30	20
EMVP 8 24V-DC 5/2 IMP	173	-	87	40.0	21	40	45	30	20
EMVP 10 230V- AC 3/2 NO/NC	147	154.5	33	20.5	45	50	117	40	23
EMVP 10 24V-DC 3/2 NO/NC	147	154.5	33	20.5	45	50	117	40	23
EMVP 15 230V- AC 3/2 NO/NC	167	173.8	23	-	-	75	112	63	33
EMVP 15 24V-DC 3/2 NO/NC	167	173.8	23	-	-	75	112	63	33

Solenoid Valves EMVP

Nominal diameter from 5 mm to 50 mm

Type	H [mm]	H1 [mm]	H2 [mm]	H3 [mm]	H4 [mm]	L [mm]	L1 [mm]	X1 [mm]	Y1 [mm]
EMVP 15 24V-DC 3/2 IMP	144	152.1	23	-	-	75	112	63	33
EMVP 20 24V-DC 3/2 NO/NC	167	178.3	23	-	-	75	116	63	33
EMVP 20 230V- AC 3/2 NO/NC	167	178.3	23	-	-	75	116	63	33
EMVP 20 24V-DC 3/2 IMP	144	152.1	23	-	-	75	116	63	33
EMVP 25 230V- AC 3/2 NO/NC	190	195.5	22	-	-	94	132	76	37
EMVP 25 24V-DC 3/2 NO/NC	190	195.5	22	-	-	94	132	76	37
EMVP 25 24V-DC 3/2 IMP	167	173.8	22	-	-	94	132	76	37
EMVP 32 230V- AC 3/2 NO	101	-	-	-	-	163	204	-	-
EMVP 32 24V-DC 3/2 NO	101	-	-	-	-	160	201	-	-
EMVP 50 230V- AC 3/2 NO	142	-	-	-	-	225	260	-	-
EMVP 50 24V-DC 3/2 NO	142	-	-	-	-	225	260	-	-