

# Solenoid Valves EMVO

Nominal diameter from 12 mm to 25 mm



## Suitability for Industry Specific Applications

### Applications

- Solenoid valve for use at high volume flow rates in systems with large cross sections
- Control of vacuum and venting of the suction cup
- Suitable for neutral or filtered air



Solenoid Valves EMVO

### Design

- Directly controlled solenoid valve
- Switching function (NC)
- Seat valve in housing made of brass and aluminum
- Degree of protection IP 65
- Connection socket complies with DIN 43 650, Form A
- Supplied complete with plug connector

### Our Highlights...

- 3/2-way valve
- Valve with large nominal diameter
- Directly controlled

### Your Benefits...

- Control of vacuum on/off or venting function
- Suitable for lines with large nominal flow rates
- Short opening and closing times



## Designation Code Solenoid Valves EMVO

<b>EMVO</b>	-	<b>12</b>	-	<b>230V-AC</b>	-	<b>3/2</b>	-	<b>NC</b>
<b>1</b>		<b>2</b>		<b>3</b>		<b>4</b>		<b>5</b>

#### 1 - Abbreviated designation

Code	Version
EMVO	EMVO

#### 2 - Nozzle size

Code	Nozzle size in mm
12...25	12 to 25

#### 3 - Voltage

Code	Voltage in V
24V-DC	Direct current
230V-AC	Single phase

#### 4 - Variant

Code	Type
3/2	3/2-way valve

#### 5 - Idle position suction valve

Code	Type
NC	Normally closed
NO	Normally open

Solenoid valve EMVO is delivered as a ready-to-connect product.

Available accessories: venting filter

Schmalz - The Company  
Vacuum Suction Cups  
Special Grippers  
Gripping Systems  
Clamping Systems  
Mounting Elements  
Vacuum Generators  
Valve Technology  
Switches and Monitoring  
Filters and Connections  
Services  
Contact  
Glossary  
Index of Products

# Solenoid Valves EMVO

Nominal diameter from 12 mm to 25 mm



## Ordering Data Solenoid Valves EMVO

Type	Part no.
EMVO 12 230V-AC 3/2 NC	10.05.01.00052
EMVO 12 24V-DC 3/2 NC	10.05.01.00049
EMVO 20 230V-AC 3/2 NC	10.05.01.00053
EMVO 20 24V-DC 3/2 NC	10.05.01.00050
EMVO 25 24V-DC 3/2 NC	10.05.01.00051



## Ordering Data Accessories Solenoid Valves EMVO

Type	Accessories	Part no.
EMVO 12 230V-AC 3/2 NC	Venting filter FAS 80x33.8 G1/2-AG	10.05.01.00061
EMVO 12 24V-DC 3/2 NC	Venting filter FAS 80x33.8 G1/2-AG	10.05.01.00061
EMVO 20 230V-AC 3/2 NC	Venting filter FAS 80x39 G3/4-AG	10.05.01.00062
EMVO 20 24V-DC 3/2 NC	Venting filter FAS 80x39 G3/4-AG	10.05.01.00062
EMVO 25 24V-DC 3/2 NC	Venting filter FAS 80x38 G1-AG EMVP	10.05.01.00063



## Technical Data Solenoid Valves EMVO

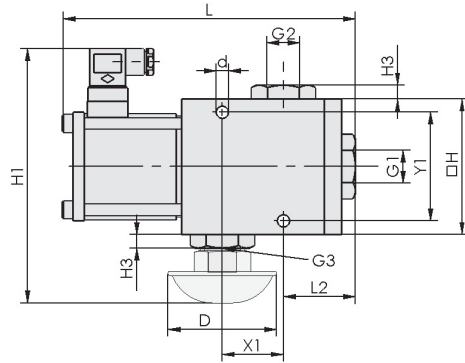
Type	Control valve	Nominal flow rate [m <sup>3</sup> /h]	Nominal flow rate [l/min]	Power		Weight [kg]
				consumption DC [W]	consumption AC [W]	
EMVO 12 230V-AC 3/2 NC	Normally closed	21	350	-	39.1	1.2
EMVO 12 24V-DC 3/2 NC	Normally closed	21	350	31.9	-	1.2
EMVO 20 230V-AC 3/2 NC	Normally closed	72	1,200	-	36.8	5.8
EMVO 20 24V-DC 3/2 NC	Normally closed	72	1,200	40.8	-	5.8
EMVO 25 24V-DC 3/2 NC	Normally closed	101	1,684	40.8	-	5.7

# Solenoid Valves EMVO

Nominal diameter from 12 mm to 25 mm



## Design Data Solenoid Valves EMVO



EMVO

Type	d [mm]	D [mm]	G1	G2	G3	H [mm]	H1 [mm]	H3 [mm]	L [mm]	L2 [mm]	X1 [mm]	Y1 [mm]
EMVO 12 230V-AC 3/2 NC	6.5	80	G1/2"-F	G1/2"-F	G1/2"-F	60	135.5	-	122	32	24	40
EMVO 12 24V-DC 3/2 NC	6.5	80	G1/2"-F	G1/2"-F	G1/2"-F	60	135.5	-	122	32	24	40
EMVO 20 230V-AC 3/2 NC	9.0	80	G3/4"-F	G3/4"-F	G3/4"-F	100	187.5	10	206	43	45	80
EMVO 20 24V-DC 3/2 NC	9.0	80	G3/4"-F	G3/4"-F	G3/4"-F	100	187.5	10	206	43	45	80
EMVO 25 24V-DC 3/2 NC	9.0	80	G1"-F	G1"-F	G1"-F	100	172.0	-	206	43	45	80



- Schmalz – The Company
- Vacuum Suction Cups
- Special Grippers
- Gripping Systems
- Clamping Systems
- Mounting Elements
- Vacuum Generators
- Valve Technology
- Switches and Monitoring
- Filters and Connections
- Services
- Contact
- Glossary
- Index of Products